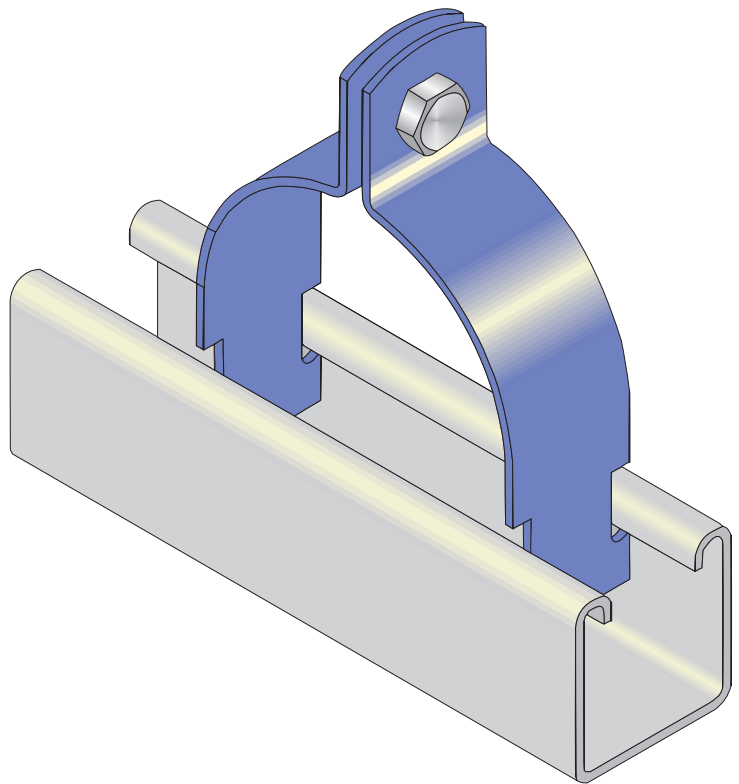


PART NO.	PIPE SIZE	MATERIAL	BOX QTY
FM132-8	8cu	32x1.6	200
FM132-10	10cu	32x1.6	200
FM132-12.7	15cu	32x1.6	100
FM132-17	17cu	32x1.6	100
FM132-20	20cu	32x1.6	100
FM132-21	15nb	32x1.6	100
FM132-25	25cu	32x1.6	100
FM132-27	20nb	32x1.6	100
FM132-29	29ns	32x2.0	100
FM132-32	32cu	32x2.0	100
FM132-34	25nb	32x2.0	100
FM132-38	40cu	32x2.0	100
FM132-43	32nb	32x2.0	100
FM132-48	40nb	32x2.0	100
FM132-51	50cu	32x2.5	50
FM132-54	54ns	32x2.5	50
FM132-57	57ns	32x2.5	50
FM132-60	50nb	32x2.5	50
FM132-64	65cu	32x2.5	50
FM132-67	67ns	32x2.5	50
FM132-70	70ns	32x2.5	50
FM132-73	65nb/ ^{SCHED} ₄₀	32x2.5	50
FM132-76	65nb/80cu	32x2.5	50
FM132-79	79ns	32x2.5	50
FM132-83	83ns	32x2.5	50
FM132-86	86ns	32x2.5	50
FM132-89	80nb	32x2.5	50
FM132-92	92ns	32x2.5	50
FM132-95	95ns	32x2.5	50
FM132-98	98ns	32x2.5	50
FM132-102	102cu	32x2.5	25
FM132-105	105ns	32x2.5	25
FM132-108	108ns	32x2.5	25
FM132-110	110ns	32x2.5	25
FM132-115	100nb	32x2.5	25
FM132-117	117ns	32x2.5	25
FM132-121	121ns	32x2.5	25
FM132-127	125cu	32x2.5	25
FM132-133	133ns	32x2.5	25
FM132-140	125nb	32x2.5	25
FM132-146	146ns	32x2.5	25
FM132-152	152cu	32x2.5	25
FM132-159	159ns	32x2.5	25
FM132-165	150nb	32x2.5	25
FM132-168	150nb/ ^{SCHED} ₄₀	32x2.5	25
FM132-171	171ns	32x2.5	25
FM132-178	178ns	32x2.5	25
FM132-190	190ns	32x2.5	25
FM132-203	200cu	32x2.5	20
FM132-220	200nb	32x2.5	20
FM132-228	228ns	32x2.5	20
FM132-240	240ns	32x2.5	20
FM132-252	252cu	32x2.5	20
FM132-268	268ns	32x2.5	20
FM132-275	250nb	32x2.5	20
FM132-302	300cu	32x2.5	20
FM132-324	300nb	32x2.5	20



**FINISH: ZINC PLATED AND GALVABOND
(OTHER FINISHES AVAILABLE ON REQUEST)
STANDARD SIZES ONLY:
OTHER SIZES AVAILABLE ON REQUEST**