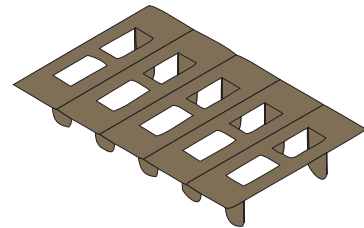
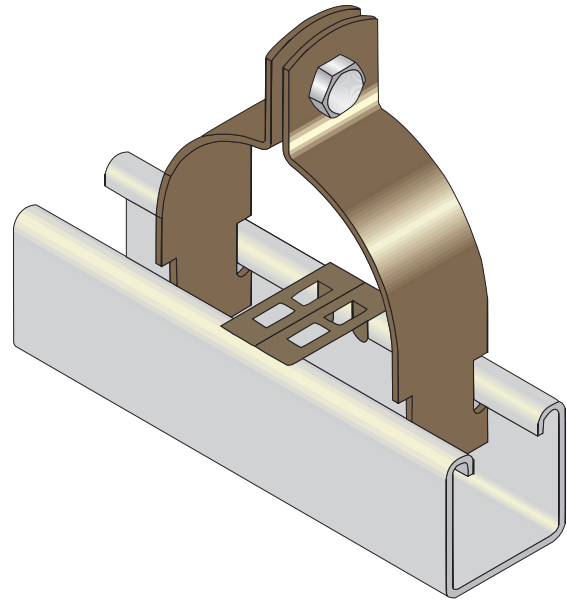


# TWO PIECE CHANNEL CLIP FOR COPPER PIPE

**FM133**  
**FM133A**

<b>FM133 TWO PIECE CHANNEL CLIP FOR COPPER PIPE</b>		
<b>PART NO.</b>	<b>PIPESIZE</b>	<b>BOX QTY</b>
FM133-015	15cu	100
FM133-020	20cu	100
FM133-025	25cu	100
FM133-032	32cu	100
FM133-038	40cu	100
FM133-051	50cu	25
FM133-064	65cu	25
FM133-076	80cu	25
FM133-102	100cu	25
FM133-127	125cu	25
FM133-152	150cu	25
FM133-203	200cu	25
FM133-252	250cu	25
FM133-302	300cu	20

**FINISH: POLYESTER  
POWDER COATED**



**FM133A  
BARRIER STRIP**

**Polyester Powder Coated**  
Continuous "Snap Off" strip used in conjunction with FM133 two piece clip - Prevents contact between copper pipe and galvanised channel.

**NOTE: FM133 INCLUDES FM133A UNLESS OTHERWISE REQUESTED.**