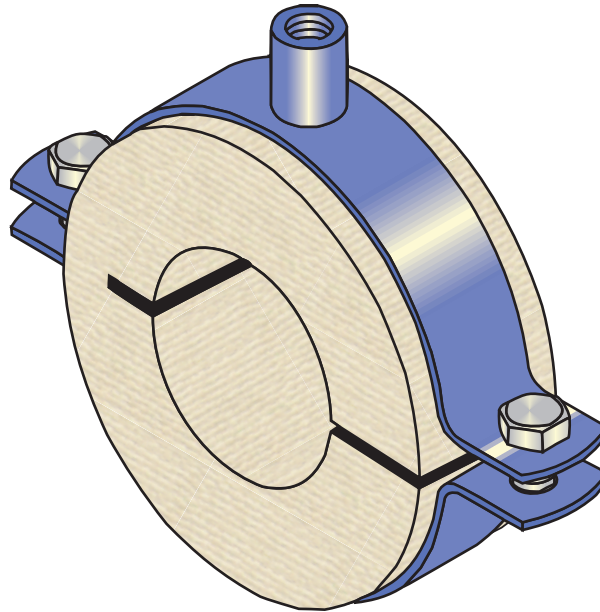


# NUT CLAMP AND FERRULE FOR STEEL PIPE

# FM109



PART NO.	PIPE DIA.	INS.	FERRULE DIA.	NUT	PART NO.	PIPE DIA.	INS.	FERRULE DIA.	NUT
FM109-015A	15nb	25	21 x 73	M10	FM109-065A	65nb	25	73 x 127	M10
FM109-015B		38	21 x 102		FM109-065B		38	73 x 152	
FM109-015C		50	21 x 127		FM109-065C		50	73 x 178	
FM109-020A	20nb	25	27 x 76	M10	FM109-080A	80nb	25	89 x 140	M10
FM109-020B		38	27 x 102		FM109-080B		38	89 x 165	
FM109-020C		50	27 x 127		FM109-080C		50	89 x 190	
FM109-025A	25nb	25	34 x 83	M10	FM109-100A	100nb	25	115 x 165	M10
FM109-025B		38	34 x 115		FM109-100B		38	115 x 190	
FM109-025C		50	34 x 140		FM109-100C		50	115 x 220	
FM109-032A	32nb	25	43 x 89	M10	FM109-125A	125nb	25	140 x 190	M12
FM109-032B		38	43 x 115		FM109-125B		38	140 x 220	
FM109-032C		50	43 x 140		FM109-125C		50	140 x 240	
FM109-040A	40nb	25	48 x 102	M10	FM109-150A	150nb	25	168 x 220	M12
FM109-040B		38	48 x 127		FM109-150B		38	168 x 240	
FM109-040C		50	48 x 152		FM109-150C		50	168 x 268	
FM109-050A	50nb	25	60 x 115	M10	FM109-200A	200nb	25	220 x 275	M12
FM109-050B		38	60 x 140		FM109-200B		38	220 x 300	
FM109-050C		50	60 x 165		FM109-200C		50	220 x 324	

**FM109 - TIMBER FERRULE** eg: **FM109-015A**

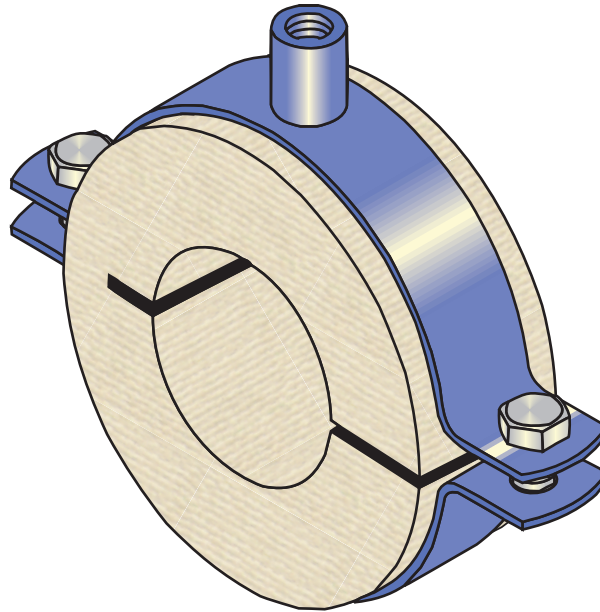
**FB109 - FLEXIBLOCK** eg: **FB109-015A**

**FINISH: ZINC PLATED**

**STANDARD SIZES ONLY: OTHER SIZES AVAILABLE ON REQUEST**

# FM110

# NUT CLAMP AND FERRULE FOR COPPER PIPE



PART NO.	PIPE DIA.	INS.	FERRULE DIA.	NUT	PART NO.	PIPE DIA.	INS.	FERRULE DIA.	NUT
FM110-015D	15cu	25	13 x 65	M10	FM110-065D	65cu	25	65 x 115	M10
FM110-015E		38	13 x 89		FM110-065E		38	65 x 140	
FM110-015F		50	13 x 115		FM110-065F		50	65 x 165	
FM110-020D	20cu	25	19 x 70	M10	FM110-080D	80cu	25	76 x 127	M10
FM110-020E		38	19 x 102		FM110-080E		38	76 x 152	
FM110-020F		50	19 x 127		FM110-080F		50	76 x 178	
FM110-025D	25cu	25	25 x 76	M10	FM110-100D	100cu	25	102 x 152	M10
FM110-025E		38	25 x 102		FM110-100E		38	102 x 178	
FM110-025F		50	25 x 127		FM110-100F		50	102 x 203	
FM110-032D	32cu	25	32 x 83	M10	FM110-125D	125cu	25	127 x 178	M12
FM110-032E		38	32 x 115		FM110-125E		38	127 x 203	
FM110-032F		50	32 x 140		FM110-125F		50	127 x 228	
FM110-040D	40cu	25	38 x 89	M10	FM110-150D	150cu	25	152 x 203	M12
FM110-040E		38	38 x 115		FM110-150E		38	152 x 228	
FM110-040F		50	38 x 140		FM110-150F		50	152 x 252	
FM110-050D	50cu	25	51 x 102	M10	FM110-200D	200cu	25	203 x 250	M12
FM110-050E		38	51 x 127		FM110-200E		38	203 x 275	
FM110-050F		50	51 x 152		FM110-200F		50	203 x 300	

FM110 - TIMBER FERRULE eg: FM110-015D  
 FB110 - FLEXIBLOCK eg: FB110-015D

FINISH: ZINC PLATED

STANDARD SIZES ONLY: OTHER SIZES AVAILABLE ON REQUEST

