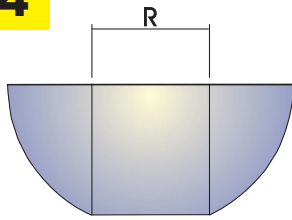


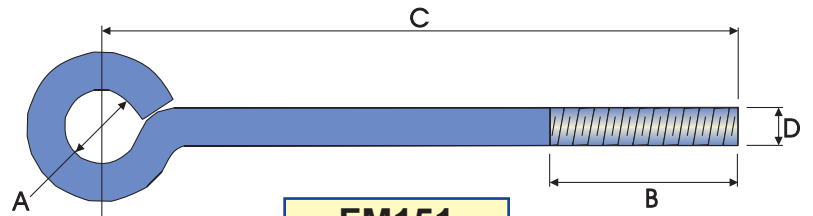
FM151
FM152
FM153
FM154

**EYEBOLTS AND SPHERICAL WASHERS
 CLEVIS AND BLADE ENDS**



FM152 SPHERICAL WASHER	
PART NO.	R
FM152-M10	11
FM152-M12	14
FM152-M16	18
FM152-M20	22
FM152-M24	26
FM152-M30	32
FM152-M36	38

**FINISH: GALVANISED
 OR PLAIN**

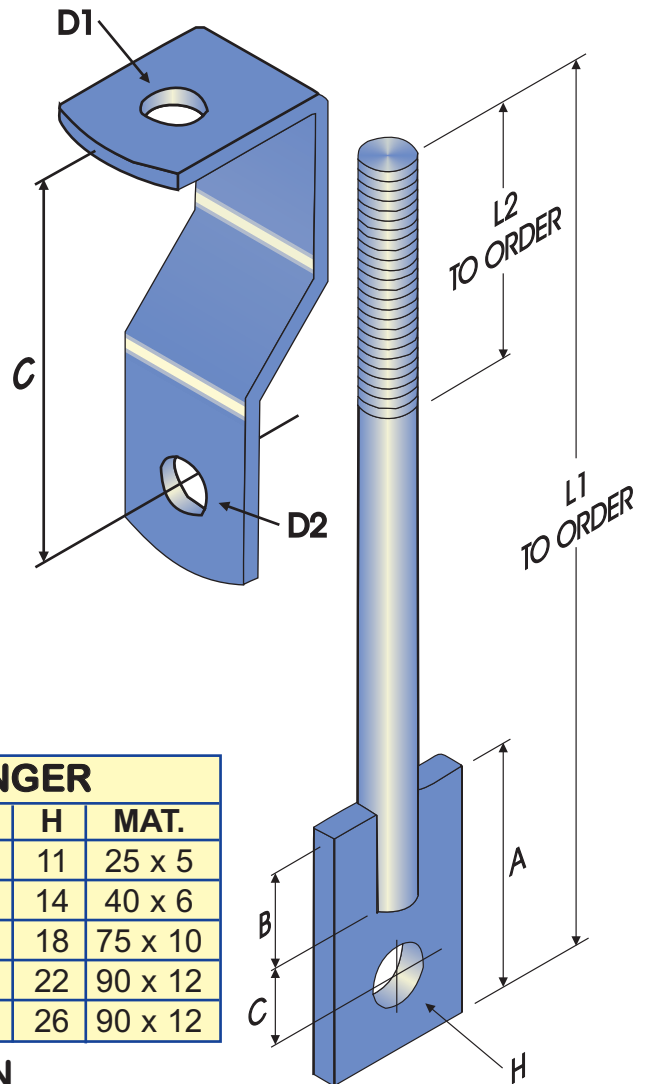


**FM151
EYEBOLT**

**ALL DIMENSIONS TO ORDER.
 FINISH: GALVANISED, PAINTED OR PLAIN**

FM153 HANGER CLEVIS					
PART NO	C	D1	D2	W x t	BOX QTY
FM153-M10 LD	70	11	11	25 x 3	100
FM153-M10	70	11	11	25 x 5	50
FM153-M12	75	14	14	40 x 6	25
FM153-M16	100	18	14	50 x 6	25
FM153-M20	112	22	22	75 x 10	10

FINISH: GALVANISED



FM154 BLADE END HANGER						
PART NO	ROD DIA.	A	B	C	H	MAT.
FM154-M10	10	55	15	25	11	25 x 5
FM154-M12	12	74	22	32	14	40 x 6
FM154-M16	16	82	25	32	18	75 x 10
FM154-M20	20	97	32	35	22	90 x 12
FM154-M24	24	115	35	40	26	90 x 12

FINISH: GALVANISED OR PLAIN

