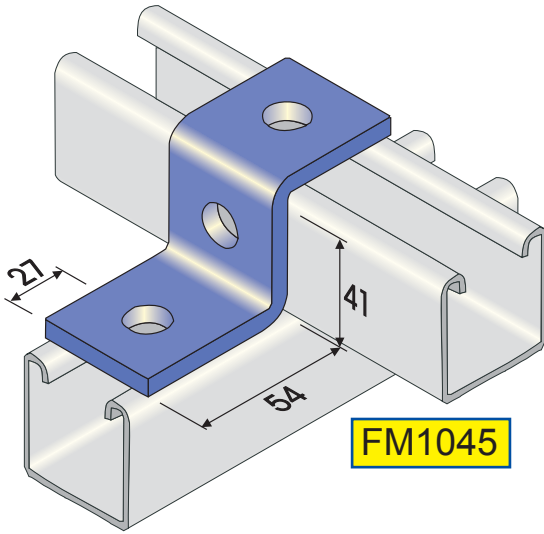
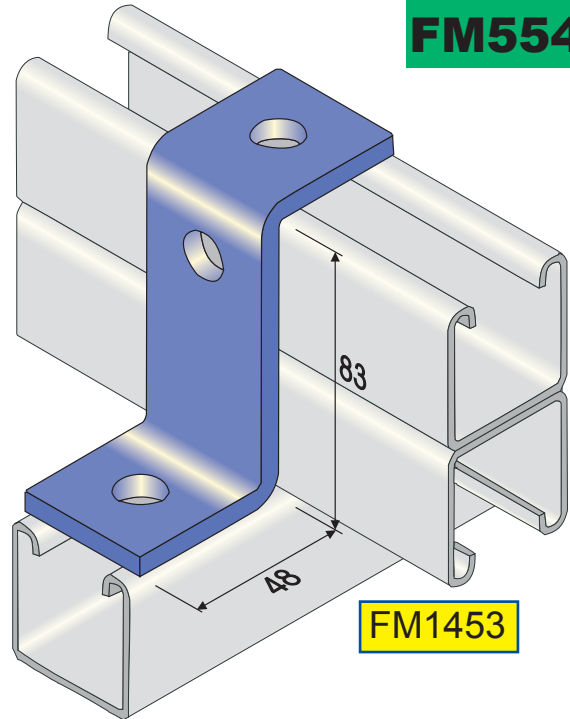


# 'Z' SHAPE FITTINGS

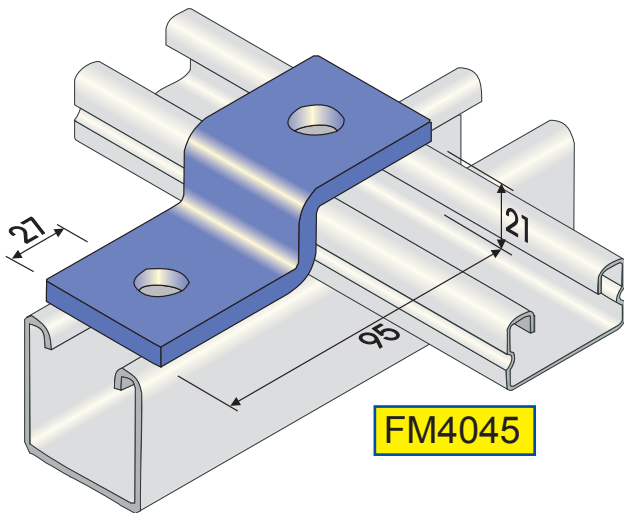
**FM1045**  
**FM1453**  
**FM1736**  
**FM4045**  
**FM5545**



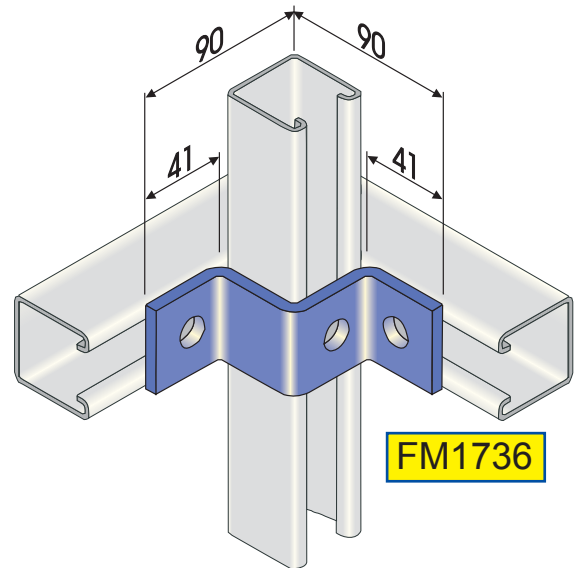
**FM1045**



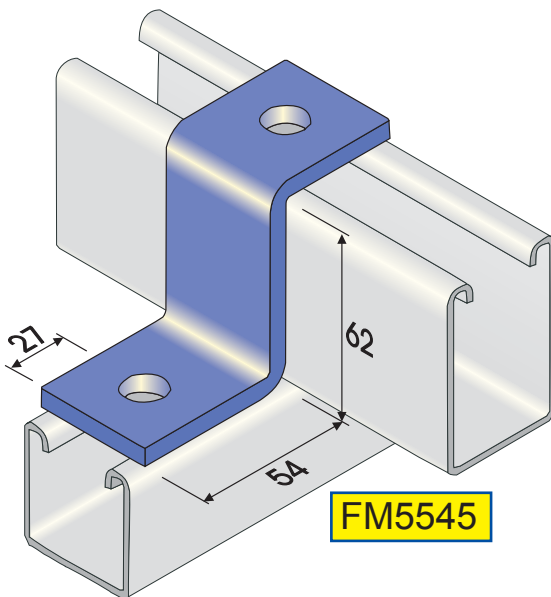
**FM1453**



**FM4045**



**FM1736**



**FM5545**

NOTE:  
 STD FINISH Z.P.  
 OTHER FINISHES AVAIL.  
 ALL HOLES 14mm  
 MATERIAL 40 x 6  
 (U.N.O)

