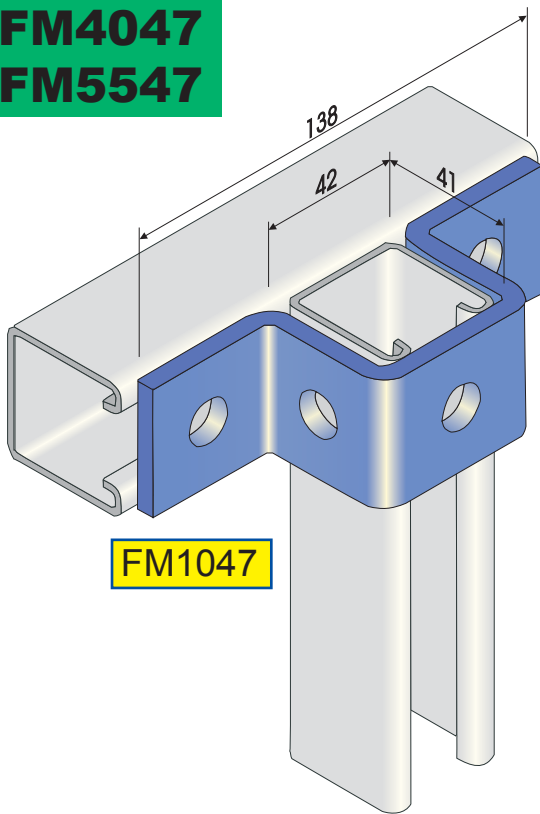
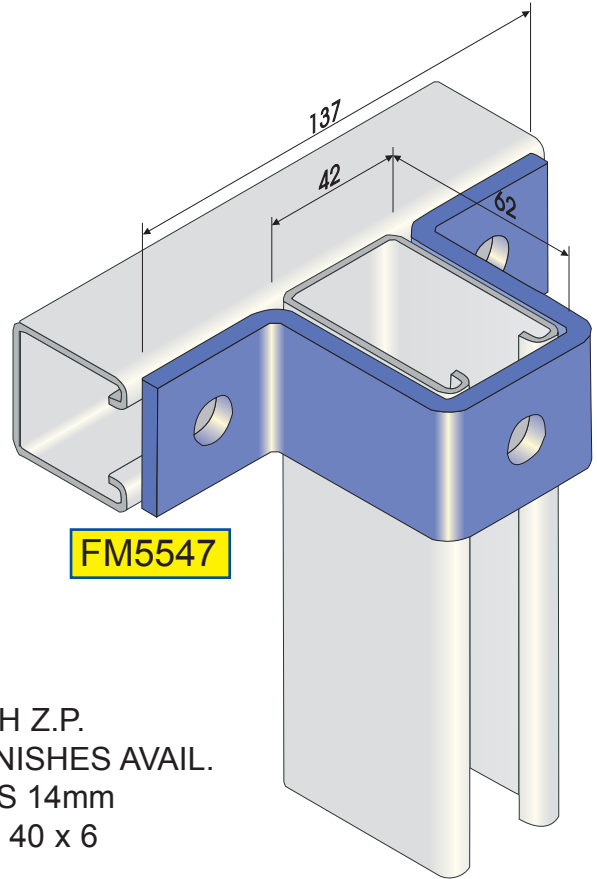


FM1044
FM1047
FM4047
FM5547

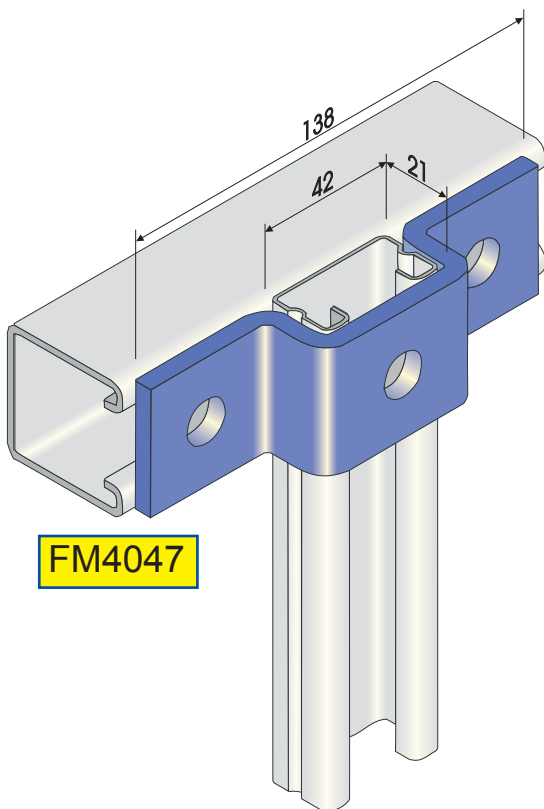


FM1047

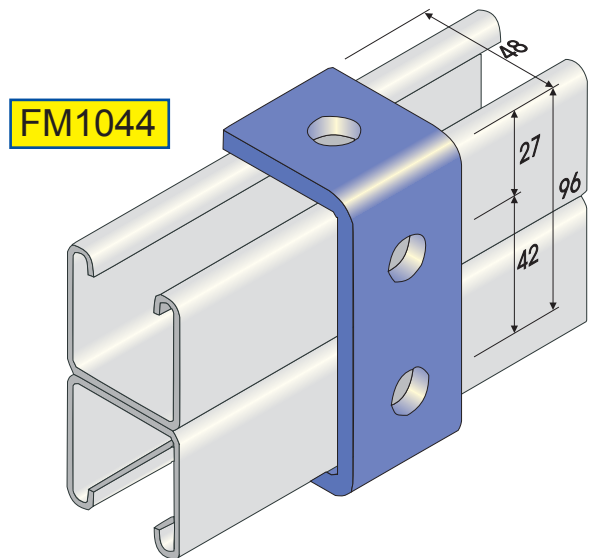


FM5547

NOTE:
STD FINISH Z.P.
OTHER FINISHES AVAIL.
ALL HOLES 14mm
MATERIAL 40 x 6
(U.N.O)



FM4047

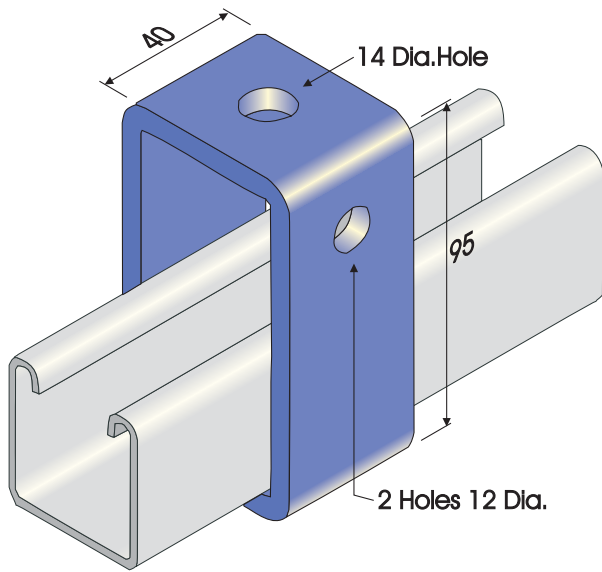


FM1044

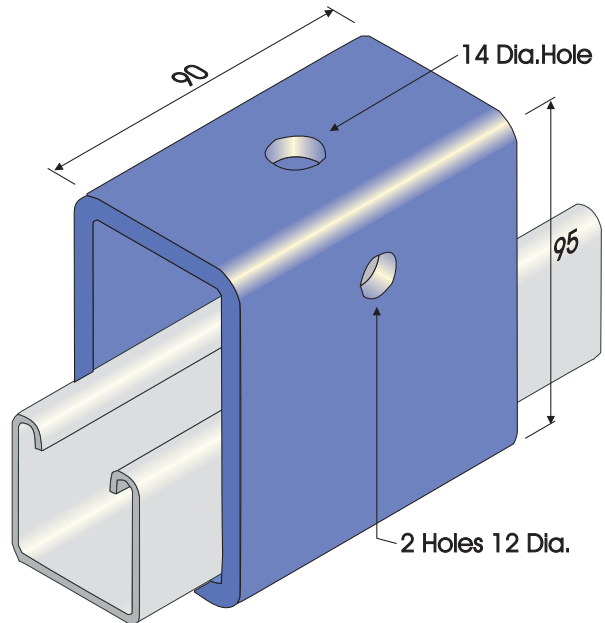


'U' SHAPE FITTINGS

FM1046
FM1376
FM1377
FM1834
FM1834A
FM4376

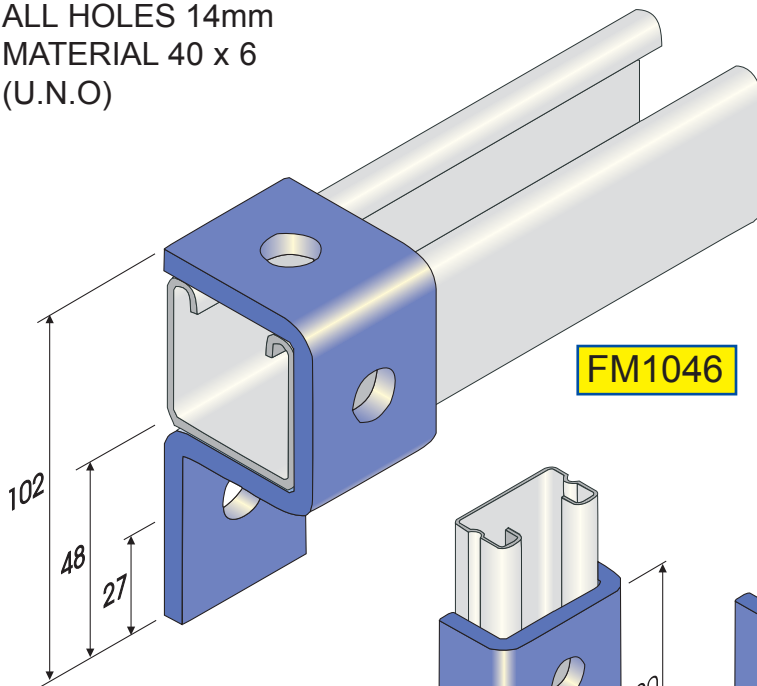


FM1834

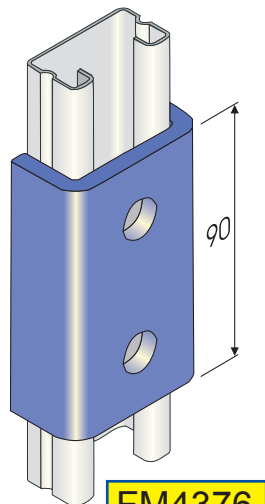


FM1834A

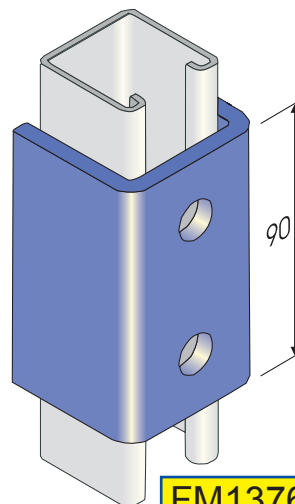
NOTE:
 STD FINISH Z.P.
 OTHER FINISHES AVAIL.
 ALL HOLES 14mm
 MATERIAL 40 x 6
 (U.N.O)



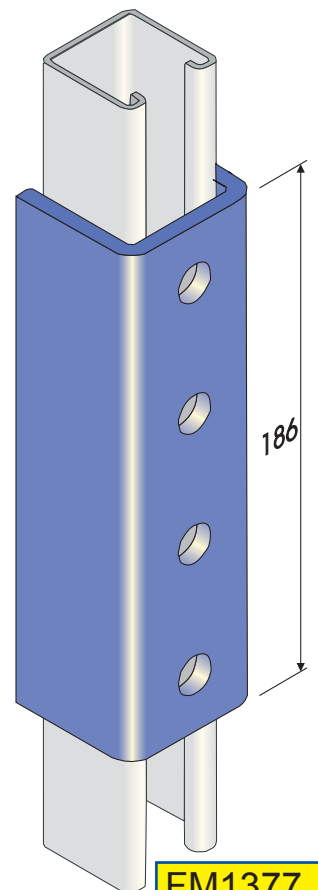
FM1046



FM4376



FM1376



FM1377

