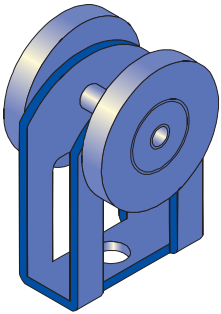


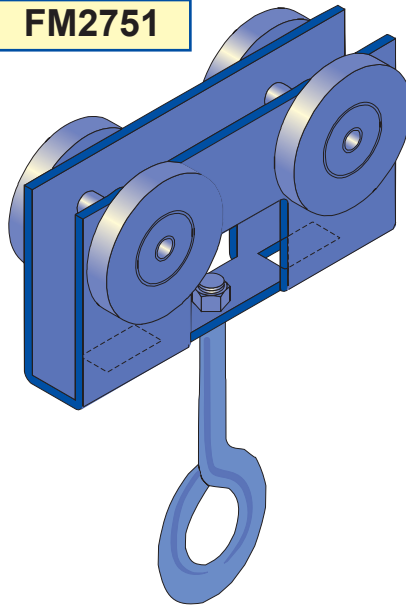
TROLLEY ASSEMBLIES

FM2749
FM2750
FM2751
FM2950

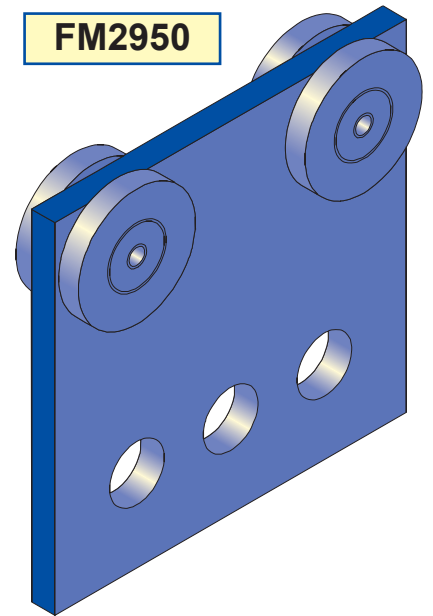
FM2749



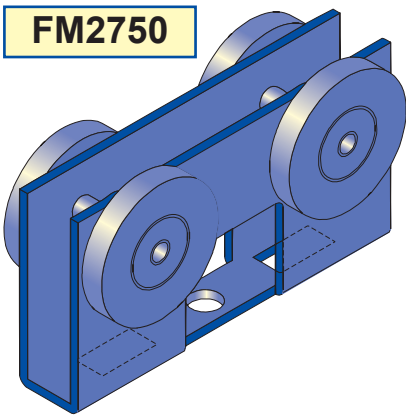
FM2751



FM2950



FM2750



NUTS, BOLTS, WASHERS, ETC...

HEX NUTS M6 to M36



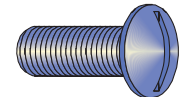
CONE POINT SET SCREWS
M10, M12



STANDARD WASHER
M6 to M36



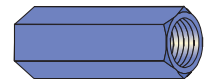
PAN HEAD SCREWS
M6 to M12



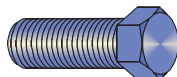
MUDGUARD WASHER
M6 to M24



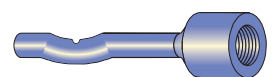
ROD COUPLERS
M6 to M20



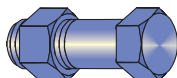
HEX HEAD SET SCREWS
M6 to M20



PIPE SPIKES
M8, M10



HEX HEAD BOLTS AND NUTS
M6 to M36



FINISH: ZINC PLATED
OTHER FINISHES INCLUDING GALVANISED AND STAINLESS
STEEL AVAILABLE

FLEXISTRUT - SUPPORTING AUSTRALIA - FLEXISTRUT - SUPPORTING AUSTRALIA - FLEXISTRUT