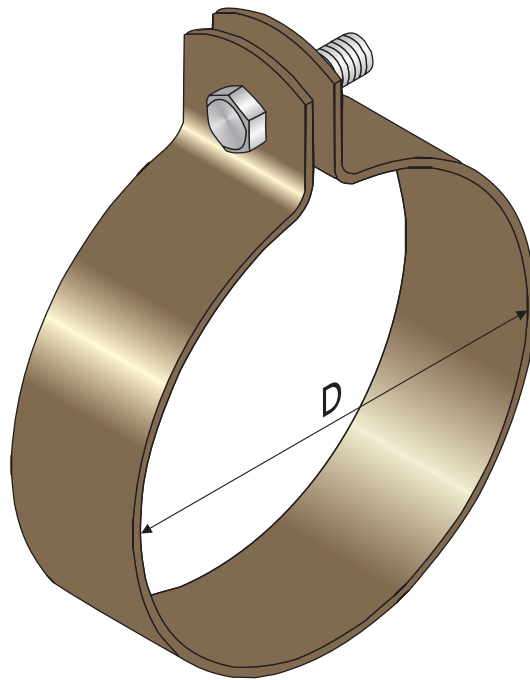


PART NO.	PIPE DIA.	D	MATERIAL	BOLT & NUT
FM127-021	15nb	21	25 x 1.0	M6 x 25
FM127-027	20nb	27	25 x 1.0	M6 x 25
FM127-034	25nb	34	25 x 1.0	M6 x 25
FM127-043	32nb	43	25 x 1.2	M6 x 25
FM127-048	40nb	48	25 x 1.2	M8 x 25
FM127-060	50nb	60	25 x 1.2	M8 x 25
FM127-076	65nb	76	25 x 1.2	M8 x 25
FM127-089	80nb	89	32 x 1.6	M8 x 25
FM127-115	100nb	115	32 x 1.6	M8 x 25
FM127-140	125nb	140	32 x 1.6	M10 x 25
FM127-168	150nb	168	40 x 3.0	M12 x 45
FM127-220	200nb	220	50 x 3.0	M12 x 45

FINISH: GALVABOND

STANDARD SIZES ONLY: OTHER SIZES AVAILABLE ON REQUEST





PART NO.	PIPE DIA.	D	MATERIAL	BOLT & NUT
FM128-015	15cu	12.7	25 x 1.0	M6 x 25
FM128-020	20cu	20	25 x 1.0	M6 x 25
FM128-025	25cu	25	25 x 1.0	M6 x 25
FM128-032	32cu	32	25 x 1.2	M6 x 25
FM128-038	40cu	40	25 x 1.2	M8 x 25
FM128-051	50cu	51	25 x 1.2	M8 x 25
FM128-064	65cu	64	25 x 1.2	M8 x 25
FM128-076	80cu	76	32 x 1.6	M8 x 25
FM128-102	100cu	102	32 x 1.6	M8 x 25
FM128-127	125cu	127	32 x 1.6	M10 x 25
FM128-150	150cu	152	40 x 3.0	M12 x 45
FM128-200	200cu	204	40 x 3.0	M12 x 45

FINISH: POLYESTER POWDER COATED

STANDARD SIZES ONLY: OTHER SIZES AVAILABLE ON REQUEST

