

PART NO.	PIPE DIA.	INS.	SIZE
FM192-015A	15nb	25	21 x 73
FM192-015B		38	21 x 102
FM192-015C		50	21 x 127
FM192-020A	20nb	25	27 x 76
FM192-020B		38	27 x 102
FM192-020C		50	27 x 127
FM192-025A	25nb	25	34 x 83
FM192-025B		38	34 x 115
FM192-025C		50	34 x 140
FM192-032A	32nb	25	43 x 89
FM192-032B		38	43 x 115
FM192-032C		50	43 x 140
FM192-040A	40nb	25	48 x 102
FM192-040B		38	48 x 127
FM192-040C		50	48 x 152
FM192-050A	50nb	25	60 x 115
FM192-050B		38	60 x 140
FM192-050C		50	60 x 168

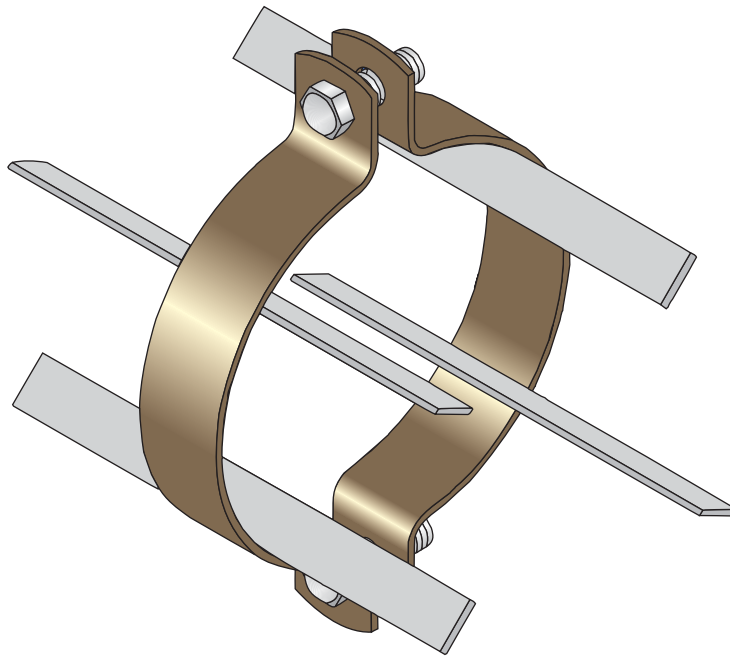
PART NO.	PIPE DIA.	INS.	SIZE
FM192-065A	65nb	25	73 x 127
FM192-065B		38	73 x 152
FM192-065C		50	73 x 178
FM192-080A	80nb	25	89 x 140
FM192-080B		38	89 x 165
FM192-080C		50	89 x 190
FM192-100A	100nb	25	115 x 165
FM192-100B		38	115 x 190
FM192-100C		50	115 x 220
FM192-125A	125nb	25	140 x 190
FM192-125B		38	140 x 220
FM192-125C		50	140 x 240
FM192-150A	150nb	25	168 x 220
FM192-150B		38	168 x 240
FM192-150C		50	168 x 268
FM192-200A	200nb	25	220 x 275
FM192-200B		38	220 x 300
FM192-200C		50	220 x 324

**FINISH: GALVANISED**



# FM192

## SPIDER CLAMP FOR STEAM & CONDENSATE COPPER PIPE



PART NO.	PIPE DIA.	INS.	SIZE
FM192-015D	15cu	25	13 x 65
FM192-015E		38	13 x 89
FM192-015F		50	13 x 115
FM192-020D	20cu	25	19 x 70
FM192-020E		38	19 x 102
FM192-020F		50	19 x 127
FM192-025D	25cu	25	25 x 76
FM192-025E		38	25 x 102
FM192-025F		50	25 x 127
FM192-032D	32cu	25	32 x 83
FM192-032E		38	32 x 115
FM192-032F		50	32 x 140
FM192-040D	40cu	25	38 x 89
FM192-040E		38	38 x 115
FM192-040F		50	38 x 140
FM192-050D	50cu	25	51 x 102
FM192-050E		38	51 x 127
FM192-050F		50	51 x 152

PART NO.	PIPE DIA.	INS.	SIZE
FM192-065D	65cu	25	65 x 115
FM192-065E		38	65 x 140
FM192-065F		50	65 x 165
FM192-080D	80cu	25	76 x 127
FM192-080E		38	76 x 152
FM192-080F		50	76 x 178
FM192-100D	100cu	25	102 x 152
FM192-100E		38	102 x 178
FM192-100F		50	102 x 203
FM192-125D	125cu	25	127 x 178
FM192-125E		38	127 x 203
FM192-125F		50	127 x 228
FM192-150D	150cu	25	152 x 203
FM192-150E		38	152 x 228
FM192-150F		50	152 x 252
FM192-200D	200cu	25	203 x 252
FM192-200E		38	203 x 275
FM192-200F		50	203 x 300

**FINISH: POLYESTER  
POWDER COATED**

