

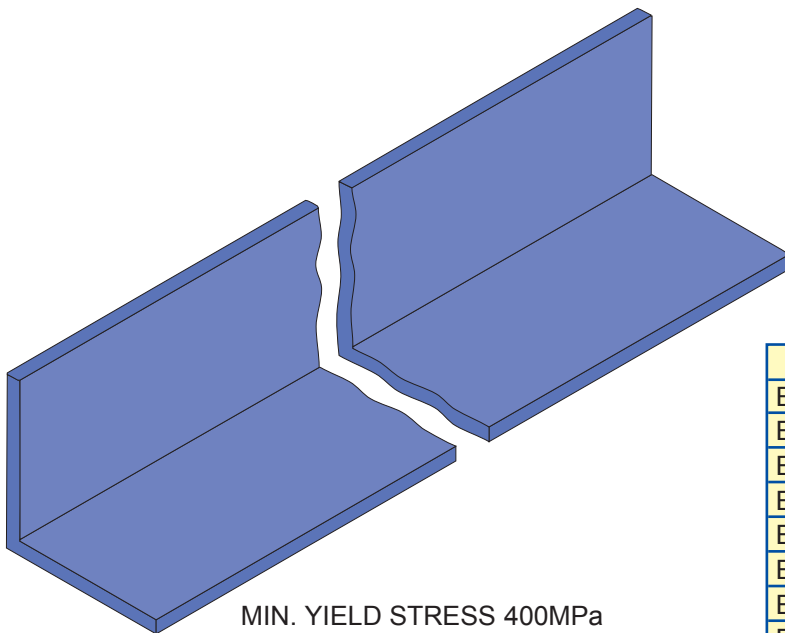
**DURAGAL SLOTTED ANGLE**

PART NO.	MATERIAL	SLOT
EF1500-030	30x30x2.5	11x18
EF1500-050	50x50x5	14x30

MIN. YIELD STRESS 400MPa  
MIN. TENSILE STRENGTH 450MPa

STANDARD LENGTH 3M

**FINISH: DURAGAL**



**DURAGAL ANGLE**

PART NO.	MATERIAL
EF1510-30/2.5	30 x 30 x 2.5
EF1510-40/2.5	40 x 40 x 2.5
EF1510-40/4.0	40 x 40 x 4.0
EF1510-50/2.5	50 x 50 x 2.5
EF1510-50/4.0	50 x 50 x 4.0
EF1510-50/5.0	50 x 50 x 5.0
EF1510-65/4.0	65 x 65 x 4.0
EF1510-65/5.0	65 x 65 x 5.0
EF1510-75/4.0	75 x 75 x 4.0
EF1510-75/5.0	75 x 75 x 5.0

MIN. YIELD STRESS 400MPa  
MIN. TENSILE STRENGTH 450MPa

STANDARD LENGTH 6M

**FINISH: DURAGAL**

