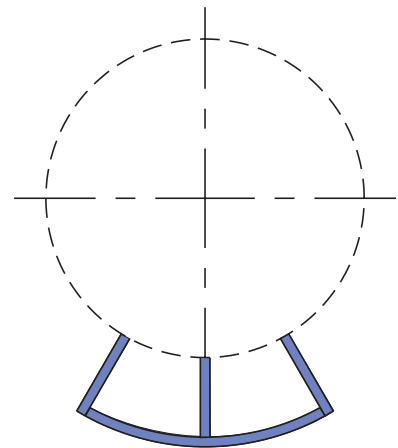


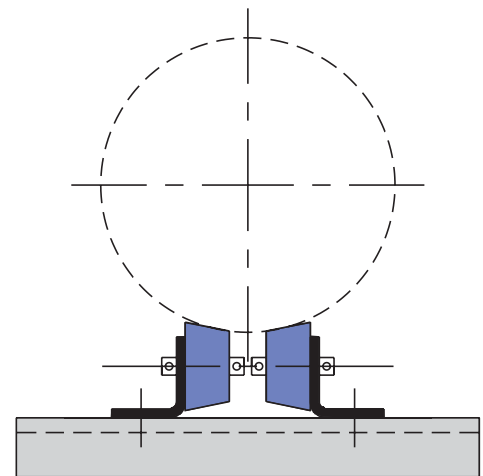
**FM193  
PIPE SPIDER**

**FINISH: PLAIN OR GALVANISED  
SPECIFY I.D. x O.D. x LENGTH**



**FM194  
PIPE ROLLERS**

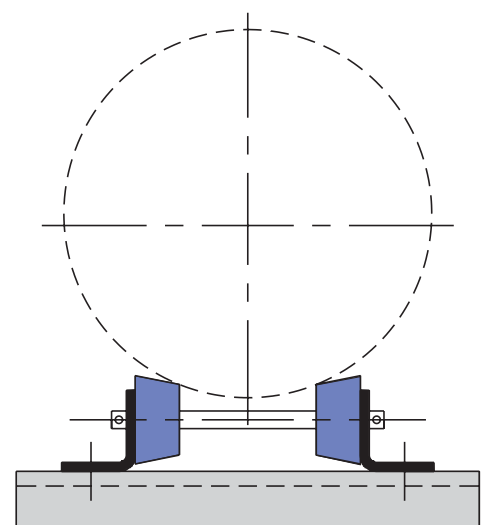
**ADJUSTABLE FOR PIPES 15nb TO 150nb  
FINISH: ROLLERS - CAST IRON  
BRACKETS - Z.P.**



**FM195  
PIPE ROLLER ASSEMBLY**

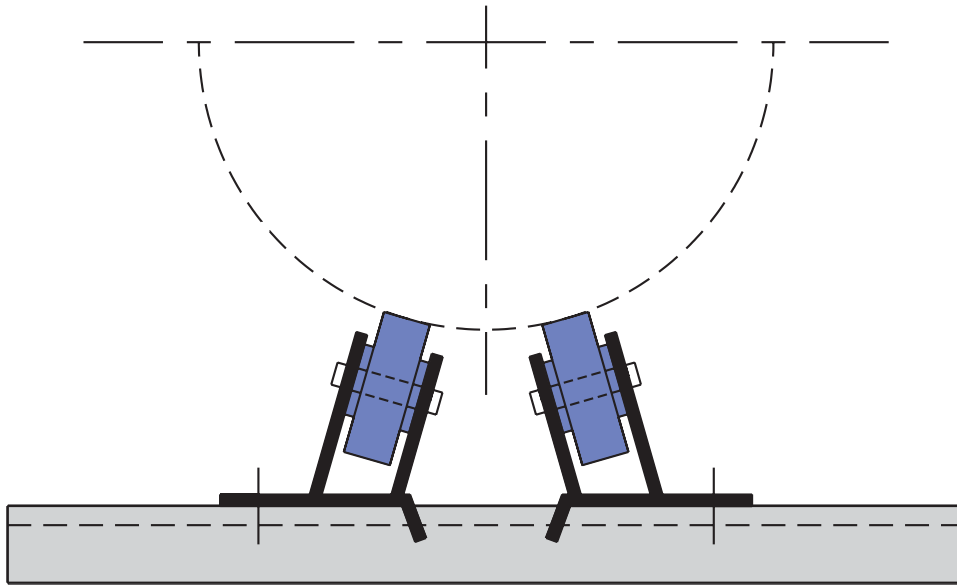
PART NO.	PIPE DIA.
FM195-1	TO 125nb
FM195-2	125nb TO 200nb
FM195-3	200nb TO 300nb
FM195-4	300nb TO 400nb

**FINISH: ROLLERS - CAST IRON  
BRACKETS - Z.P.**



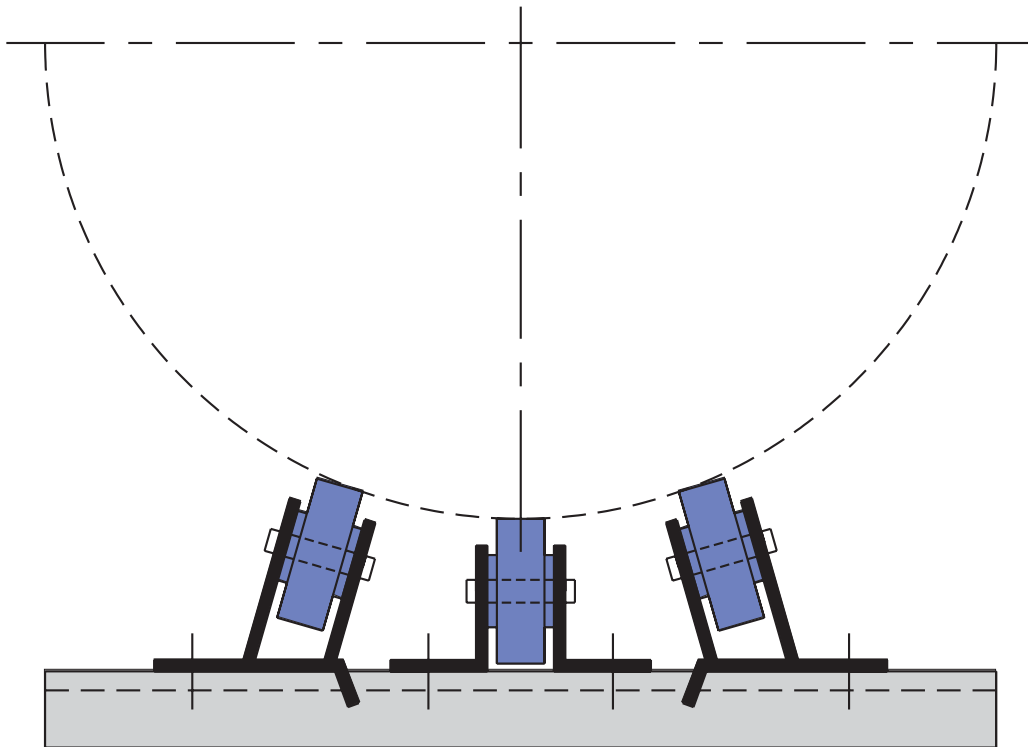
**FM196**  
**FM197**

**PIPE ROLLERS**



**FM196**  
**PIPE ROLLERS**

**ADJUSTABLE FOR PIPES 150nb TO 450nb**  
**FINISH: ROLLERS - CAST IRON BRACKETS - Z.P.**



**FM197**  
**PIPE ROLLERS**

**ADJUSTABLE FOR PIPES 400nb TO 600nb**  
**FINISH: ROLLERS - CAST IRON BRACKETS - Z.P.**

