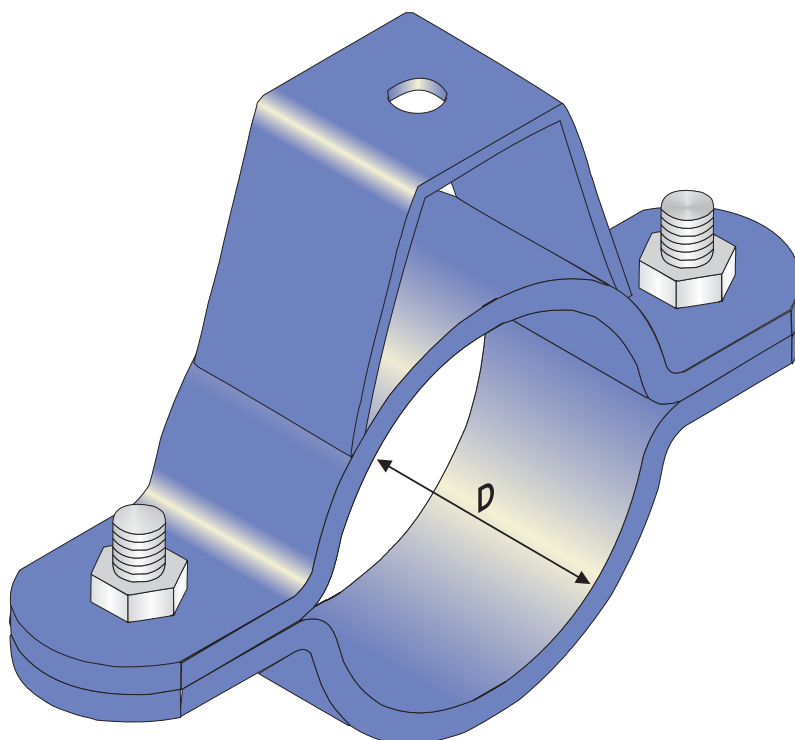


PART NO.	PIPE DIA.	D	BOLT	MATERIAL
FM8-020	20cu	19	M6x25	20x3
FM8-021	15nb	21	M6x25	20x3
FM8-025	25cu	25	M6x25	20x3
FM8-027	20nb	27	M6x25	20x3
FM8-032	32cu	32	M6x25	20x3
FM8-034	25nb	34	M6x25	20x3
FM8-038	40cu	38	M6x25	20x3
FM8-043	32nb	43	M6x25	20x3
FM8-048	40nb	48	M6x25	20x3
FM8-051	50cu	51	M6x25	20x3
FM8-060	50nb	60	M6x25	20x3
FM8-064	65cu	64	M6x25	20x3
FM8-073	65nb	73	M6x25	20x3
FM8-076	80cu	76	M6x25	20x3
FM8-083	83ns	83	M6x25	20x3
FM8-089	80nb	89	M6x25	20x3
FM8-102	102cu	102	M6x25	20x3
FM8-115	115nb	115	M6x25	25x3
FM8-127	125cu	127	M8x30	25x5
FM8-140	125nb	140	M8x30	25x5
FM8-152	150cu	152	M8x30	25x5
FM8-168	150nb	168	M8x30	25x5

FINISH: GALVANISED

STANDARD FINISHES ONLY: OTHER FINISHES AVAILABLE ON REQUEST





PART NO.	PIPE DIA.	D	HOLE DIA 'H'	BOLT	MATERIAL
FM18-60	50nb	60	14	M12x45	40x6
FM18-64	64cu	64	14	M12x45	40x6
FM18-73	65nb	73	14	M12x45	40x6
FM18-76	80cu	76	14	M12x45	40x6
FM18-83	83ns	83	14	M12x45	40x6
FM18-89	80nb	89	14	M12x45	40x6
FM18-102	100cu	102	14	M12x45	40x6
FM18-115	100nb	115	14	M12x45	40x6
FM18-127	125cu	127	14	M12x45	40x6
FM18-140	125nb	140	14	M12x45	40x6
FM18-152	152cu	152	14	M12x45	40x6
FM18-168	150nb	168	14	M12x45	40x6
FM18-175	175ns	175	14	M12x45	40x6
FM18-190	190ns	190	14	M12x45	40x6
FM18-203	200cu	203	14	M12x45	40x6
FM18-220	200nb	220	14	M12x45	40x6
FM18-228	228ns	228	14	M12x45	40x6
FM18-240	240ns	240	14	M12x45	40x6
FM18-252	250cu	252	14	M12x45	40x6
FM18-275	250nb	275	18	M12x45	40x6

FINISH: GALVANISED

STANDARD FINISHES ONLY: OTHER FINISHES AVAILABLE ON REQUEST

