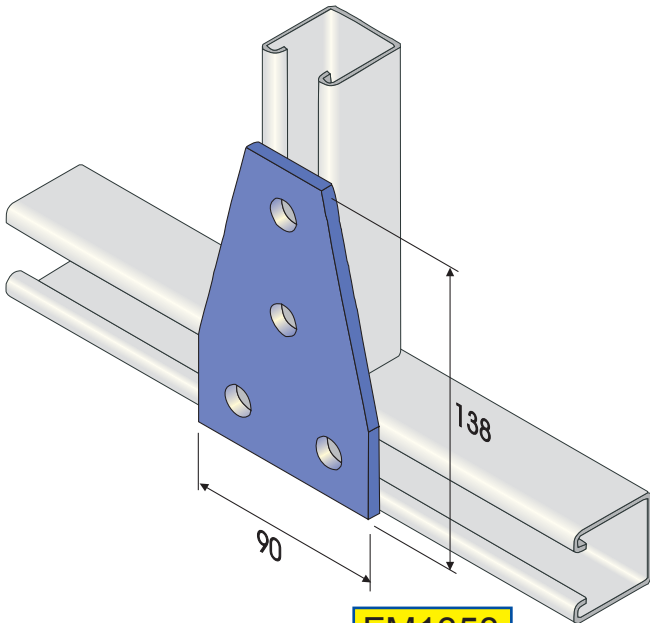
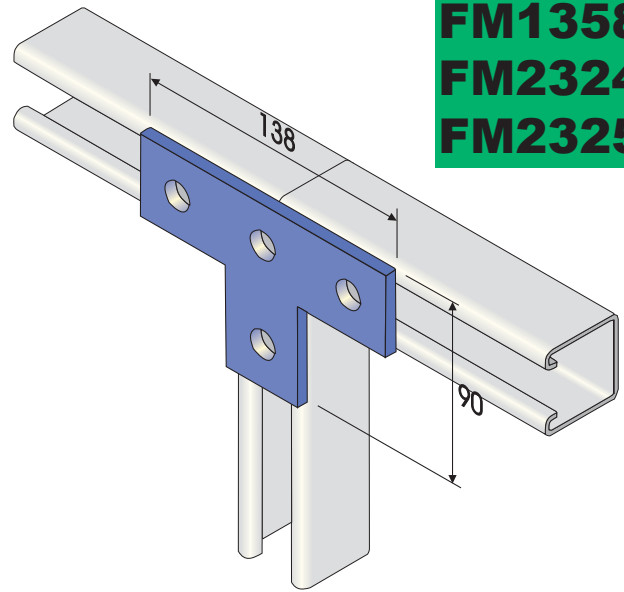


FLAT PLATE FITTINGS

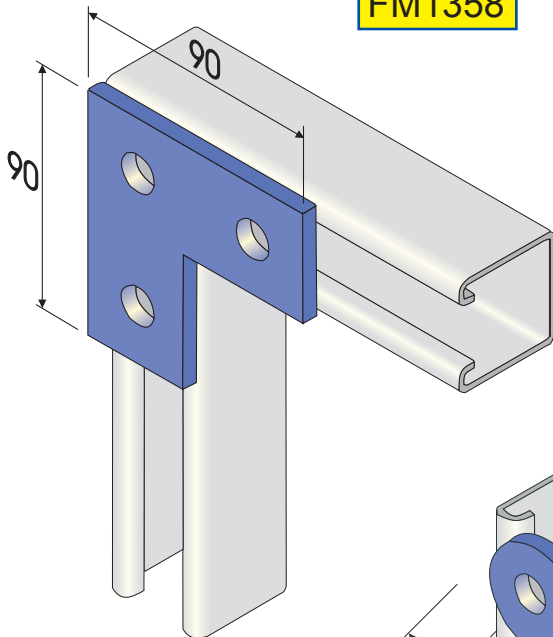
FM1031
FM1036
FM1358
FM2324
FM2325



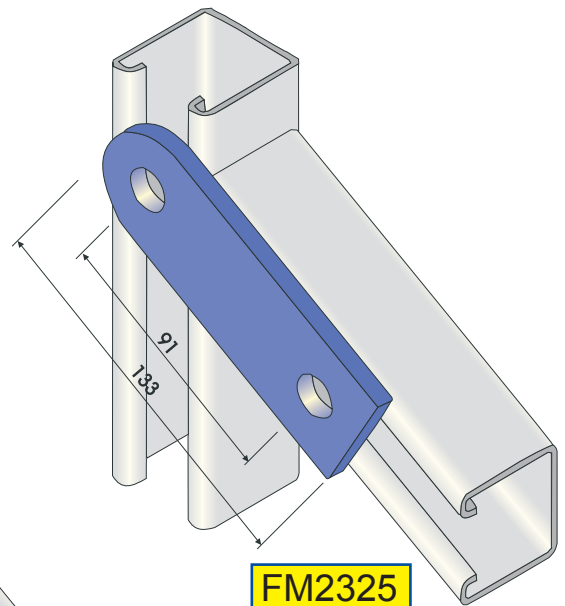
FM1358



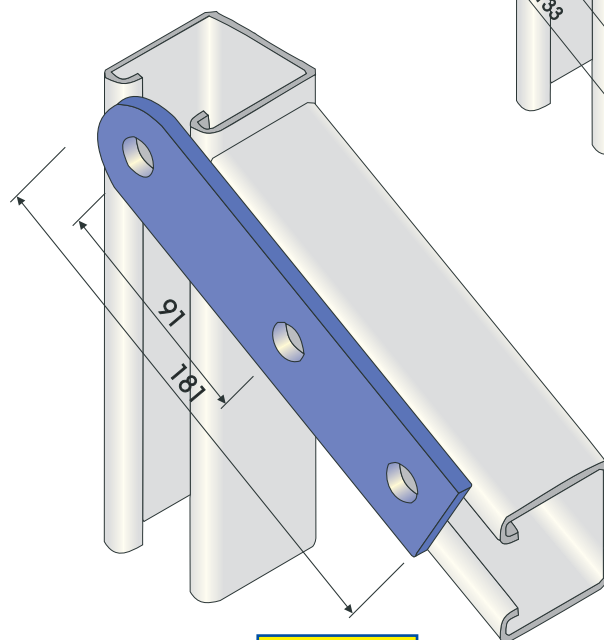
FM1031



FM1036



FM2325



FM2324

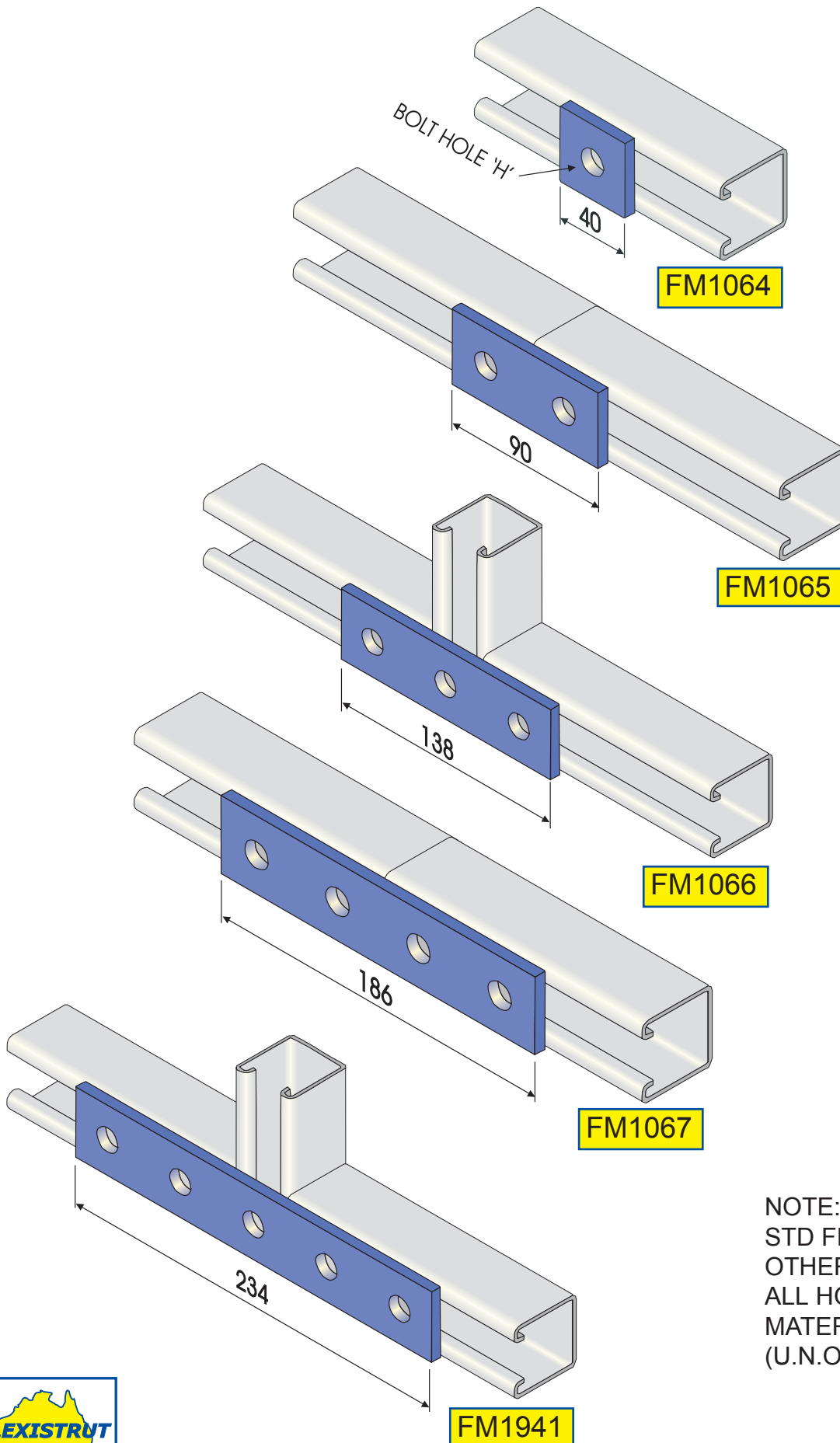
NOTE:
 STD FINISH Z.P.
 OTHER FINISHES AVAIL.
 ALL HOLES 14mm
 MATERIAL 40 x 6
 (U.N.O)



FLAT PLATE FITTINGS

FM1064
FM1065
FM1066
FM1067
FM1941

Part No. 'H'
 FM1062 - 9
 FM1063 - 11
 FM1064 - 14
 FM1964 - 18



NOTE:
 STD FINISH Z.P.
 OTHER FINISHES AVAIL.
 ALL HOLES 14mm
 MATERIAL 40 x 6
 (U.N.O)

