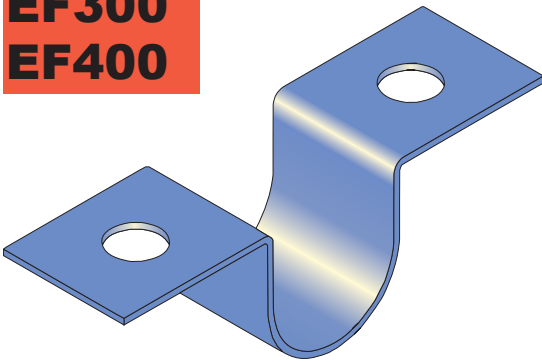
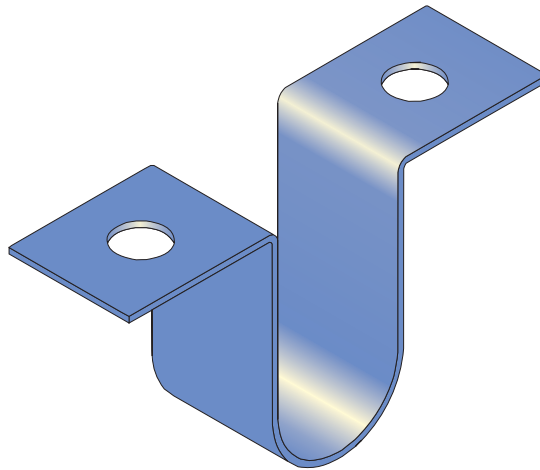


**EF100  
EF200  
EF300  
EF400**



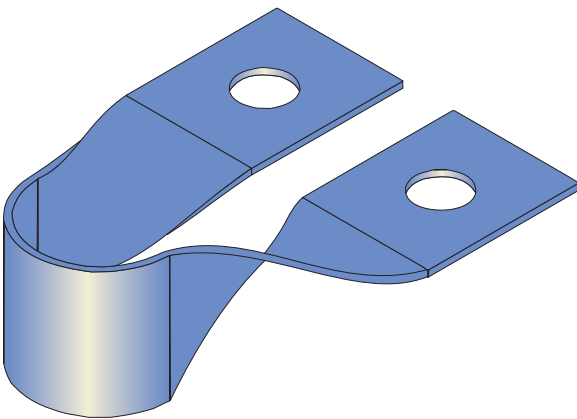
<b>EF100 L.D. SHALLOW SADDLE</b>	
<b>PART NO</b>	<b>PIPE DIA.</b>
EF100-034	25nb
EF100-043	32nb
EF100-048	40nb
EF100-060	50nb

**FINISH: GALVABOND**



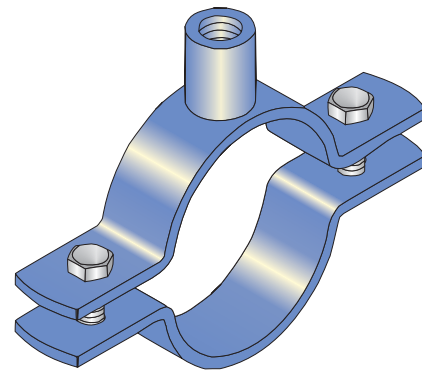
<b>EF200 L.D. DEEP SADDLE</b>	
<b>PART NO</b>	<b>PIPE DIA.</b>
EF200-034	25nb
EF200-043	32nb
EF200-048	40nb
EF200-060	50nb

**FINISH: GALVABOND**



<b>EF300 TWIST CLIP</b>	
<b>PART NO</b>	<b>PIPE DIA.</b>
EF300-034	25nb
EF300-043	32nb
EF300-048	40nb
EF300-060	50nb
EF300-076	65nb

**FINISH: GALVABOND**



<b>EF400 NUT CLIP</b>				
<b>PART NO</b>	<b>PIPE DIA.</b>	<b>MATERIAL</b>	<b>NUT</b>	<b>BOLT &amp; NUT</b>
EF400-027	20nb	20 x 3	M10	1/4" x 1"
EF400-034	25nb	20 x 3	M10	1/4" x 1"
EF400-043	32nb	20 x 3	M10	1/4" x 1"
EF400-048	40nb	20 x 3	M10	1/4" x 1"
EF400-060	50nb	20 x 3	M10	1/4" x 1"
EF400-076	65nb	25 x 3	M12	1/4" x 1"
EF400-089	80nb	25 x 3	M12	5/16" x 1 1/2"
EF400-115	100nb	25 x 5	M12	5/16" x 1 1/2"
EF400-140	125nb	25 x 5	M12	5/16" x 1 1/2"
EF400-165	150nb	25 x 5	M12	5/16" x 1 1/2"

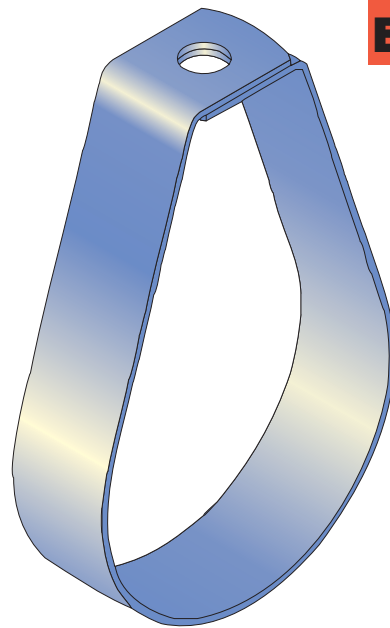
**FINISH: ZINC PLATED**

**Conforms to SAA code AS2118**

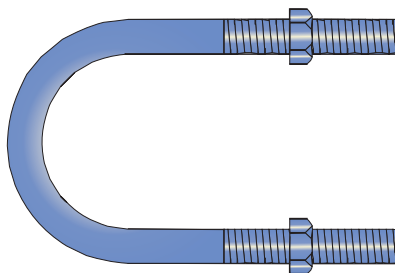


**EF500 PEAR BAND**

PART NO	PIPE DIA.	MATERIAL	ROD DIA.
EF500-027	20nb	25 x 1.6	M10
EF500-034	25nb	25 x 1.6	M10
EF500-043	32nb	25 x 1.6	M10
EF500-048	40nb	25 x 1.6	M10
EF500-060	50nb	25 x 1.6	M10
EF500-076	65nb	32 x 2.0	M12
EF500-089	80nb	32 x 2.0	M12
EF500-115	100nb	32 x 2.0	M12
EF500-140	125nb	40 x 3.0	M12
EF500-165	150nb	40 x 3.0	M12
EF500-220	200nb	40 x 3.0	M16

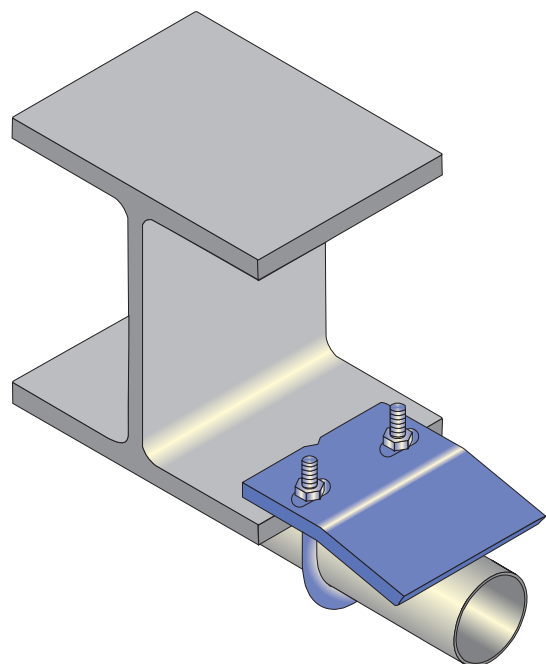


**FINISH: GALVABOND**  
Conforms to SAA code AS2118



**EF600 U BOLT**

PART NO	PIPE DIA.	MATERIAL
EF600-034	25nb	M6
EF600A-034	25nb	M10
EF600-043	32nb	M6
EF600A-043	32nb	M10
EF600-048	40nb	M6
EF600A-048	40nb	M10
EF600-060	50nb	M6
EF600A-060	50nb	M10
EF600-076	65nb	M12
EF600-089	80nb	M12 </td
EF600-115	100nb	M12
EF600-140	125nb	M12
EF600-165	150nb	M12
EF600-220	200nb	M16



**EF700 / EF700LD PIPE BEAM CLIP**

PART NO	PIPE DIA.	U BOLT
EF700LD	25nb to 50nb	M6
EF700	25nb to 50nb	M10

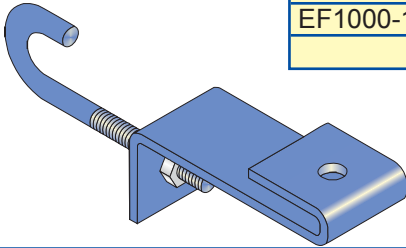
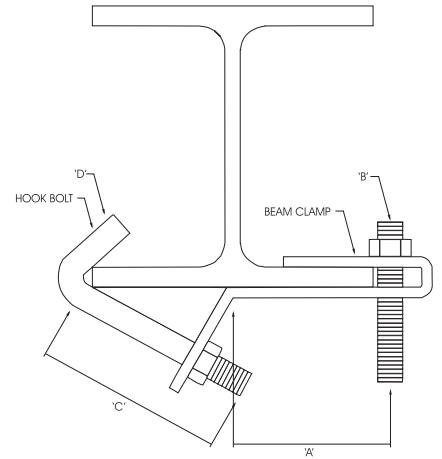
**FINISH: ZINC PLATED  
AND GALVANISED**

**FINISH: ZINC PLATED**  
'U' Bolt to be ordered separately.  
Sizes above 50nb available on request.

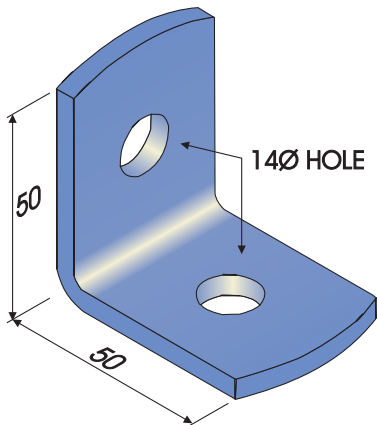


**EF800  
EF900  
EF1000  
EF1100  
EF1200  
EF1300  
EF1400**

<b>BEAM ATTACHMENTS</b>					
<b>BEAM CLAMP</b>			<b>HOOK BOLT</b>		
<b>PART NO.</b>	<b>'A'</b>	<b>'B'</b>	<b>PART NO.</b>	<b>'C'</b>	<b>'D'</b>
EF800-050	50	12	EF900-075	75	12
EF800-100	100	12	EF900-100	100	12
EF800-150	150	12	EF900-135	135	12
			EF900-175	175	12
EF1000-050	50	10	EF1100-075	75	10
EF1000-100	100	10	EF1100-100	100	10
EF1000-150	150	10	EF1100-135	135	10
			EF1100-175	175	10



**EF1300 ANGLE BRACKET**

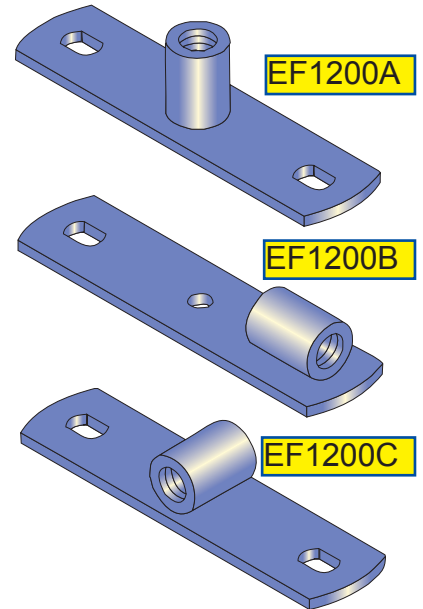


**FINISH: ZINC PLATED**

**EF1200 MOUNTING PLATES**

<b>PART NO</b>	<b>THREAD</b>
EF1200A-M10	M10
EF1200A-M12	M12
EF1200B-M10	M10
EF1200B-M12	M12
EF1200C-M10	M10
EF1200C-M12	M12

**FINISH: ZINC PLATED**

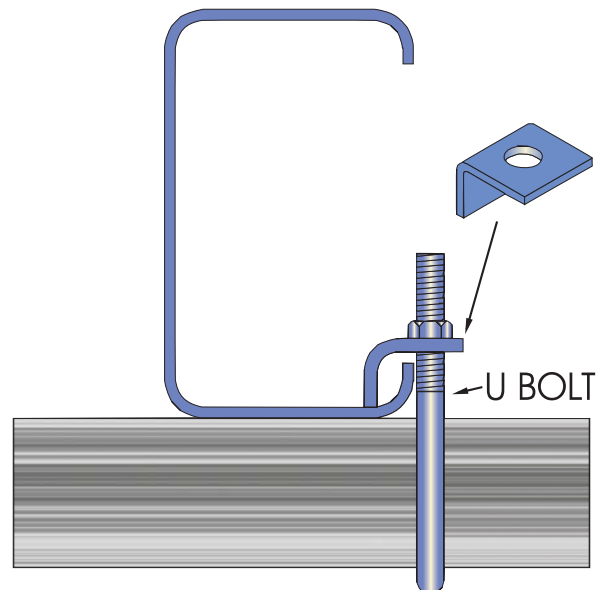


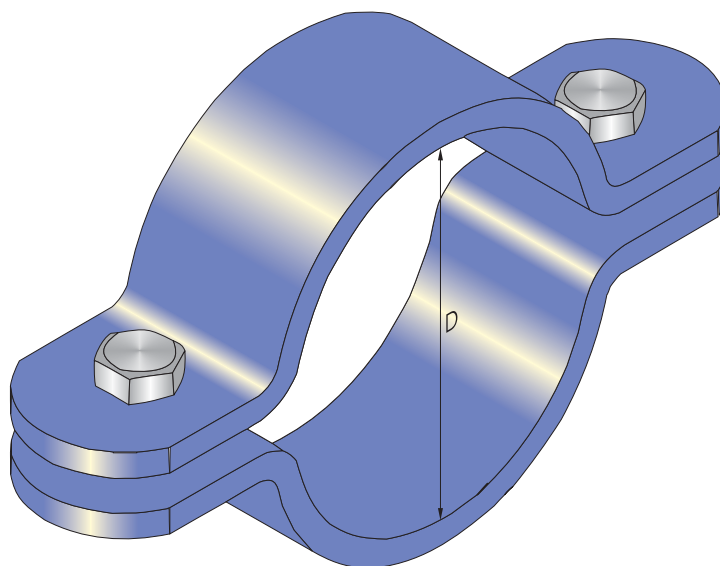
**EF1400 PURLIN CLEAT**

<b>PART NO</b>	<b>U BOLT DIA.</b>
EF1400-M6	M6
EF1400-M10	M10
EF1400-M12	M12

**FINISH: ZINC PLATED**

**NOTE: U BOLT NOT INCLUDED, ORDER SEPERATELY**

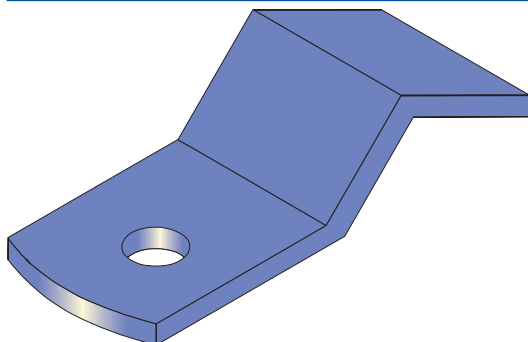




<b>EF2100 H.D. BOLTED CLIP</b>				
<b>PART NO</b>	<b>PIPE DIA.</b>	<b>'D'</b>	<b>MATERIAL</b>	<b>BOLT &amp; NUT</b>
EF2100-060	50nb	60	40 x 6	M12 x 45
EF2100-076	65nb	76	40 x 6	M12 x 45
EF2100-089	80nb	89	40 x 6	M12 x 45
EF2100-115	100nb	115	40 x 6	M12 x 45
EF2100-140	125nb	140	40 x 6	M12 x 45
EF2100-168	150nb	168	40 x 6	M12 x 45
EF2100-220	200nb	220	40 x 6	M12 x 45

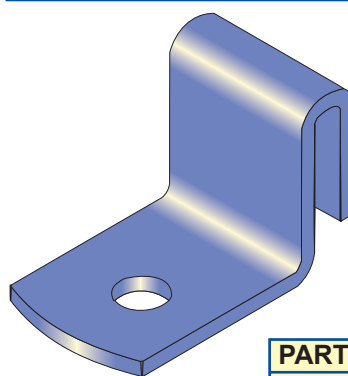
**FINISH: GALVANISED**

**EF2200 PURLIN CLIP H.D.**



**FINISH: ZINC PLATED**

**EF2300 PURLIN CLIP L.D.**



<b>PART NO.</b>	<b>HOLE DIA.</b>
EF2300-M8	M8
EF2300-M10	M10

**FINISH: GALVABOND**

