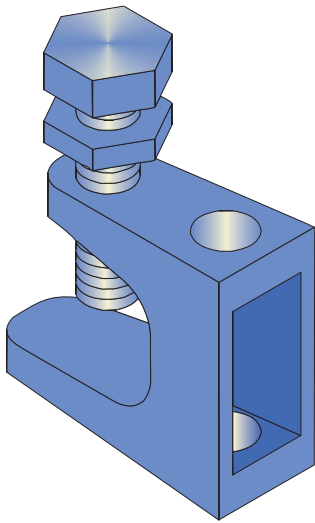


BEAM CLAMPS / PURLIN CLIPS

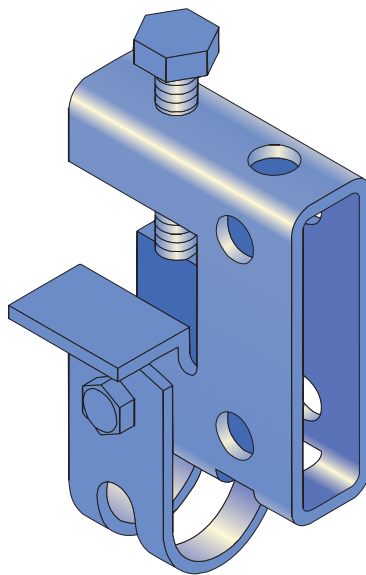
EF1600
EF1700
EF1750
EF1900
EF2000
EF14-TI



EF1600 BEAM CLAMP

PART NO	ROD DIA.
EF1600-M8	M8
EF1600-M10	M10
EF1600-M12	M12
EF1600-M16	M16

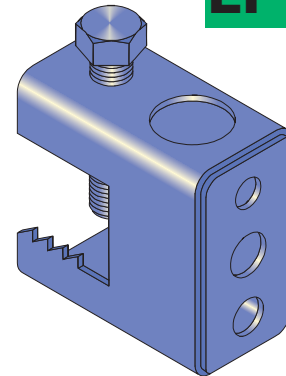
FINISH: ZINC PLATED



EF1700 BEAM CLAMP

PART NO	ROD DIA.
EF1700-M10	M10

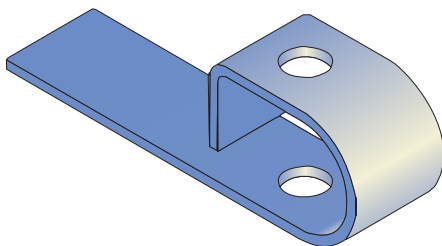
FINISH: ZINC PLATED



EF1750 L.D. BEAM CLAMP

PART NO	ROD DIA.
EF1750-M10	M10

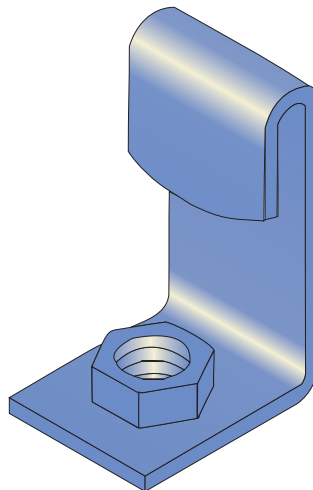
FINISH: ZINC PLATED



EF1900 PURLIN CLIP

PART NO	ROD DIA.
EF1900-M8	M8
EF1900-M10	M10
EF1900-M12	M12

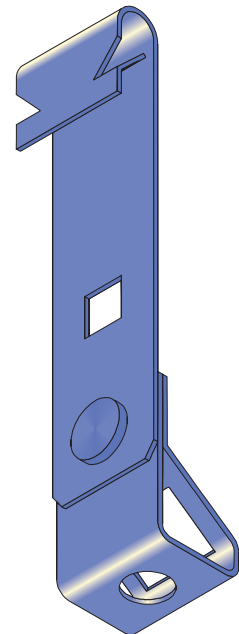
FINISH: ZINC PLATED



EF2000 PURLIN CLIP

PART NO	ROD DIA.
EF2000-M8	M8
EF2000-M10	M10
EF2000-M12	M12

FINISH: ZINC PLATED



EF14-TI PURLIN CLIP

PART NO	ROD DIA.
EF14M6-TI	M6
EF14M8-TI	M8
EF14M10-TI	M10

FINISH: ZINC PLATED

