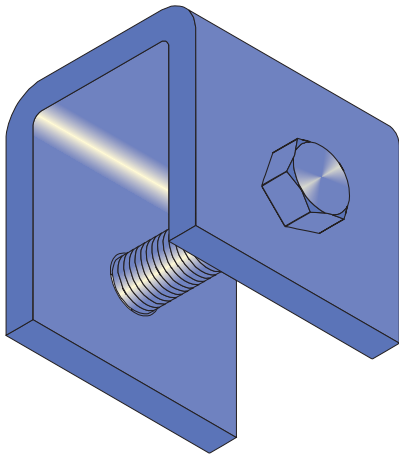
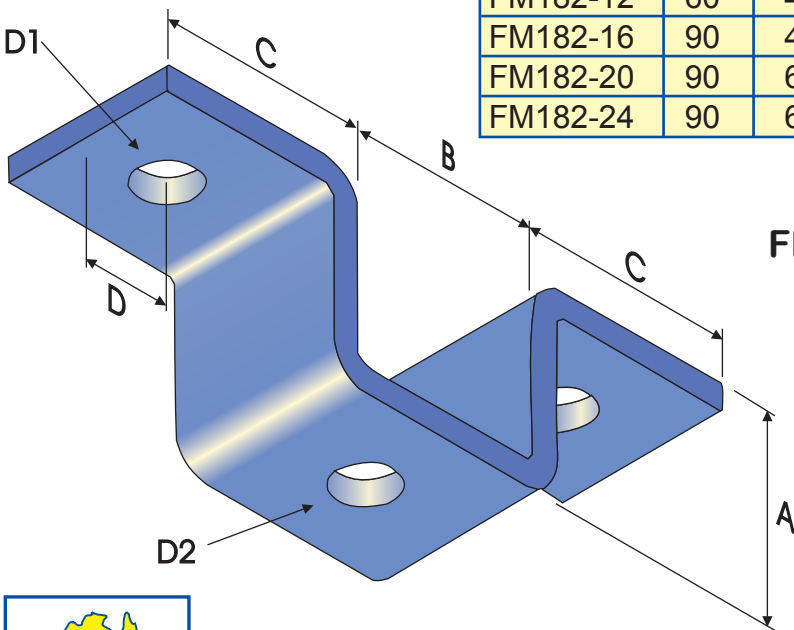


FM180 WELDED BEAM HANGER						
PART NO.	A	B	C	D1	D2	W x T
FM180-10	75	32	20	14	11	50 x 10
FM180-12	75	32	20	14	14	50 x 10
FM180-16	75	50	30	18	18	75 x 10
FM180-20	90	50	30	22	22	75 x 10
FM180-24	125	50	40	26	26	100 x 12



FM181 WELDED BEAM HANGER						
PART NO.	A	B	C	D1	D2	W x T
FM181-10	75	32	20	14	11	50 x 10
FM181-12	75	32	20	14	14	50 x 10
FM181-16	75	50	30	18	18	75 x 10
FM181-20	90	50	30	22	22	75 x 10
FM181-24	125	50	40	26	26	100 x 12



FM182 HANGER STIRRUP							
PART NO.	A	B	C	D	D1	D2	W x T
FM182-10	60	40	30	15	11	11	32 x 5
FM182-12	60	40	40	20	14	14	40 x 6
FM182-16	90	40	40	20	14	18	40 x 6
FM182-20	90	65	50	30	18	22	50 x 10
FM182-24	90	65	50	30	22	26	65 x 10

FINISH: PLAIN OR GALVANISED

