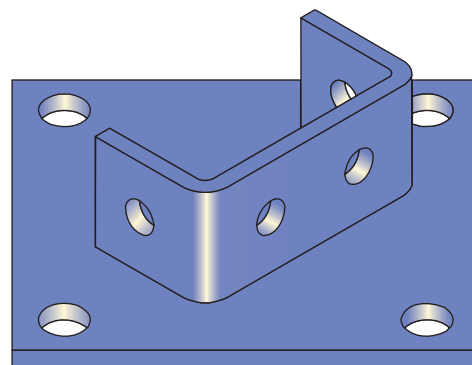
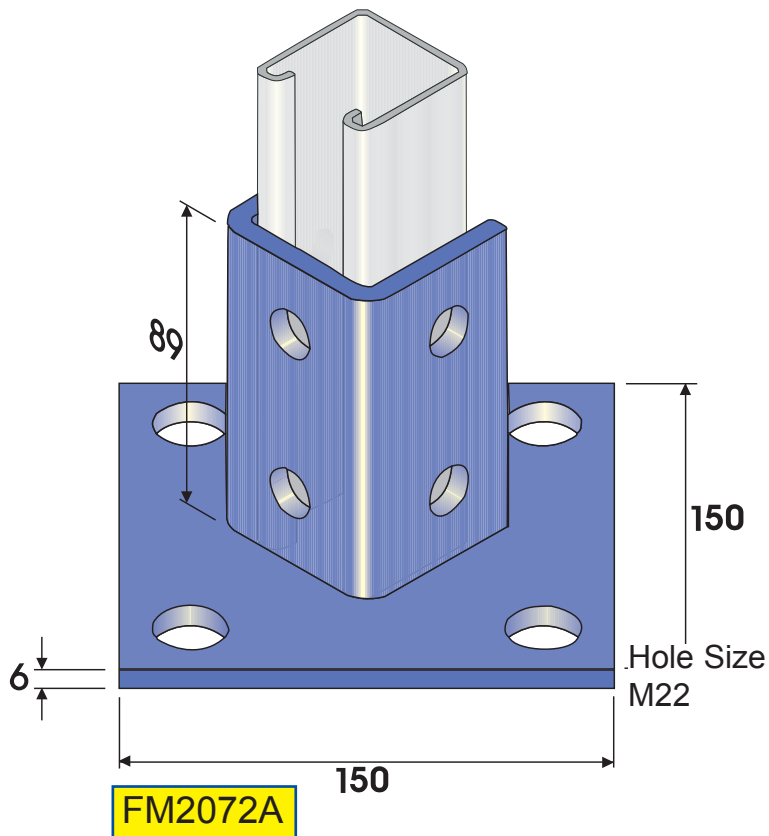
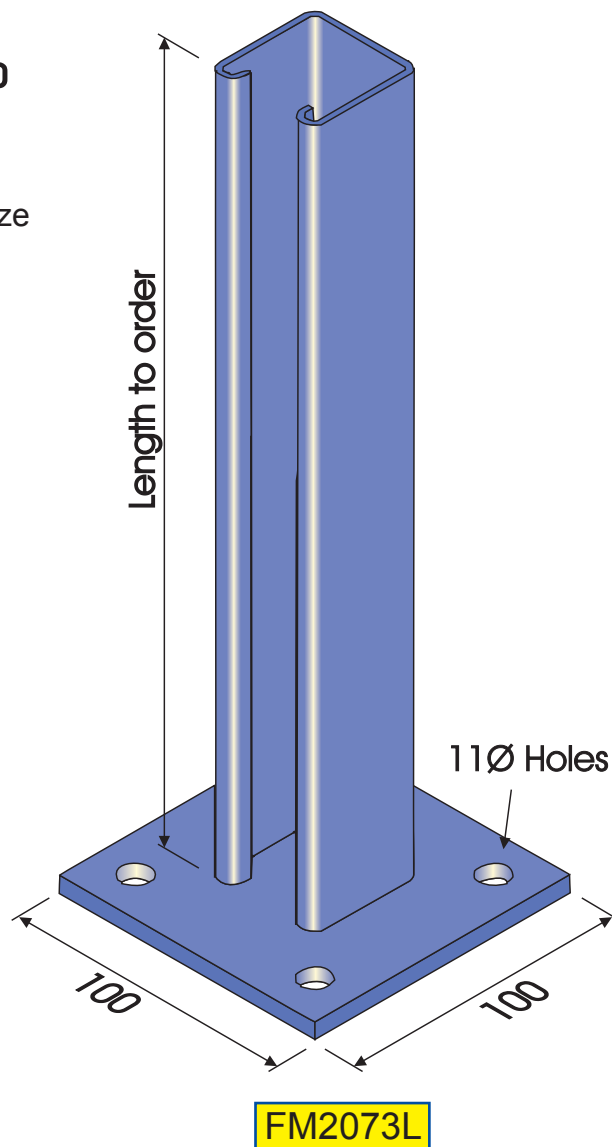
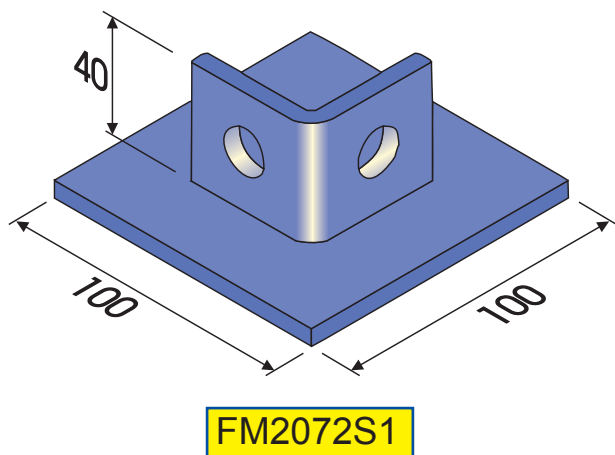


FM2072A
FM2072S1
FM2073
FM2073L

BASE PLATES



Hole Size 19MM



NOTE:
 STD FINISH Z.P.
 OTHER FINISHES AVAIL.
 ALL HOLES 14mm
 MATERIAL 40 x 6
 (U.N.O)

