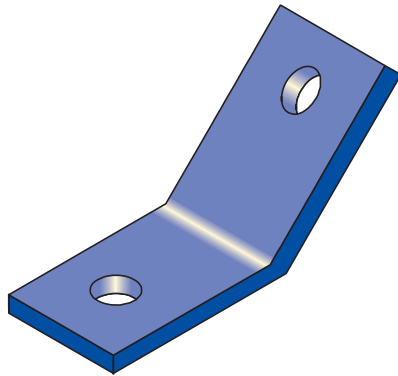
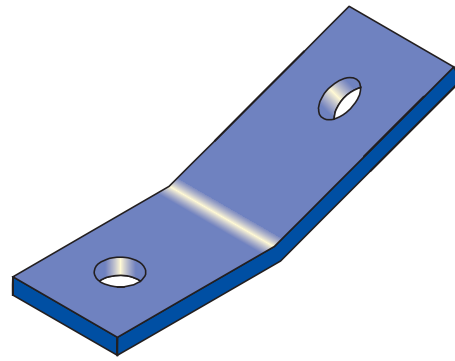


ANGULAR FITTINGS

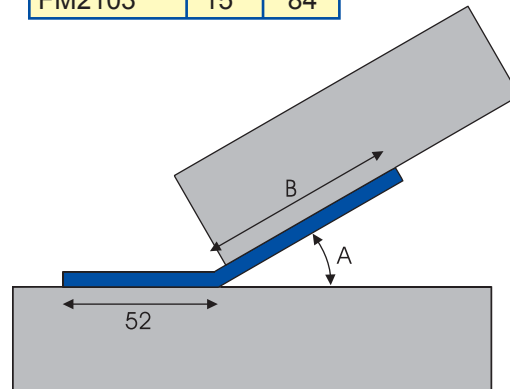
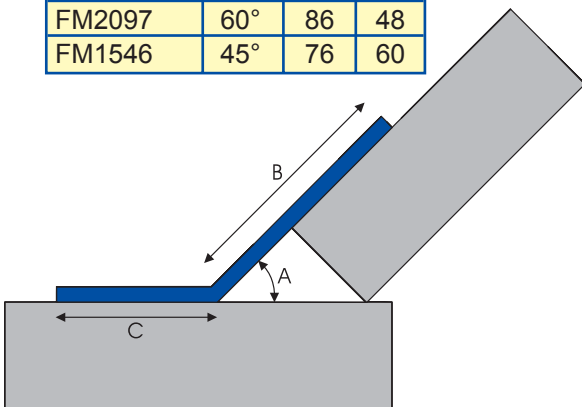
FM1546
FM2095
FM2097
FM2101
FM2103
FM2106
FM2108
FM1186
FM2452



PART NO.	A	B	C
FM2095	75°	91	43
FM2097	60°	86	48
FM1546	45°	76	60

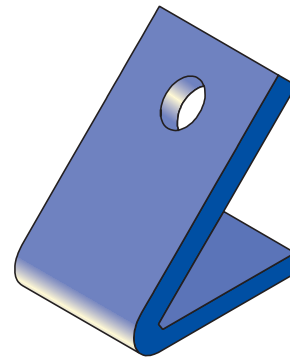
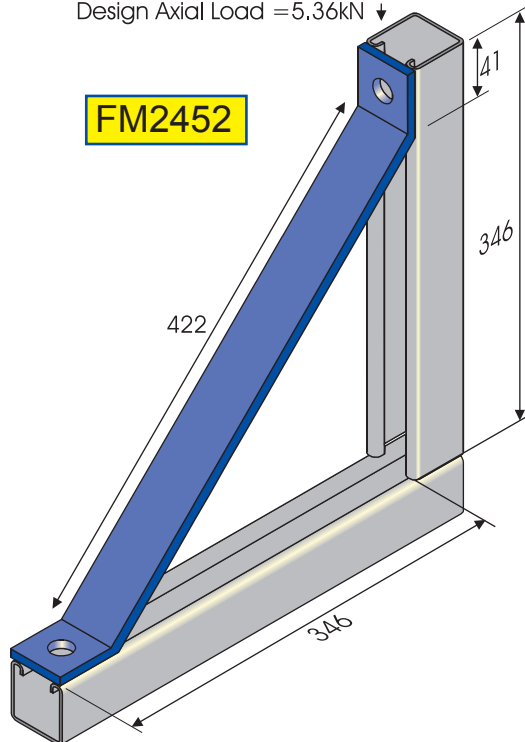


PART NO.	A	B
FM2101	30°	83
FM2103	15°	84



Design Axial Load = 5.36kN

FM2452



PART NO.	A
FM2106	75°
FM2108	60°
FM1186	45°

