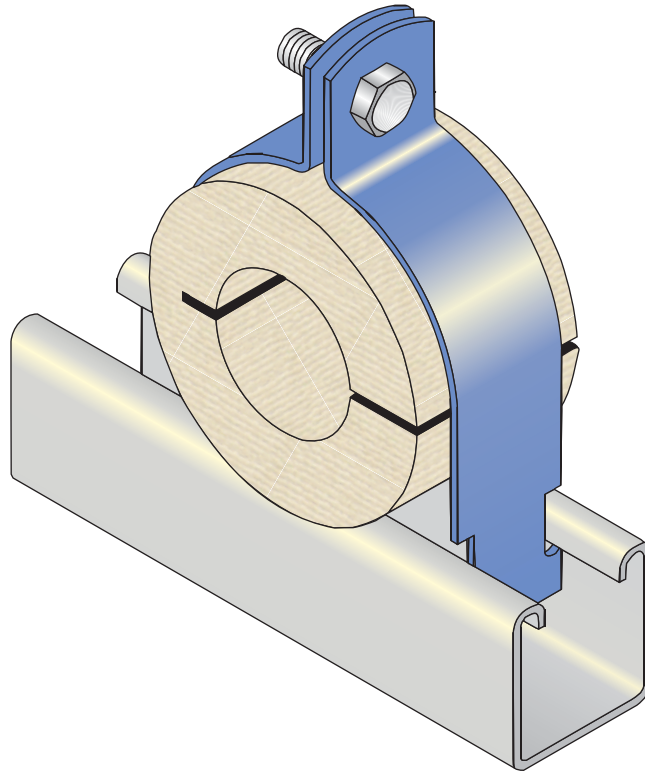


TWO PIECE CHANNEL CLIP AND TIMBER FERRULE FOR STEEL PIPE

FM134



PART NO.	PIPE DIA.	INS.	FERRULE DIA.
FM134-015A	15nb	25	21 x 73
FM134-015B		38	21 x 102
FM134-015C		50	21 x 127
FM134-020A	20nb	25	27 x 76
FM134-020B		38	27 x 102
FM134-020C		50	27 x 127
FM134-025A	25nb	25	34 x 83
FM134-025B		38	34 x 115
FM134-025C		50	34 x 140
FM134-032A	32nb	25	43 x 89
FM134-032B		38	43 x 115
FM134-032C		50	43 x 140
FM134-040A	40nb	25	48 x 102
FM134-040B		38	48 x 127
FM134-040C		50	48 x 152
FM134-050A	50nb	25	60 x 115
FM134-050B		38	60 x 140
FM134-050C		50	60 x 165

PART NO.	PIPE DIA.	INS.	FERRULE DIA.
FM134-065A	65nb	25	73 x 127
FM134-065B		38	73 x 152
FM134-065C		50	73 x 178
FM134-080A	80nb	25	89 x 140
FM134-080B		38	89 x 165
FM134-080C		50	89 x 190
FM134-100A	100nb	25	115 x 165
FM134-100B		38	115 x 190
FM134-100C		50	115 x 220
FM134-125A	125nb	25	140 x 190
FM134-125B		38	140 x 220
FM134-125C		50	140 x 240
FM134-150A	150nb	25	168 x 220
FM134-150B		38	168 x 240
FM134-150C		50	168 x 268
FM134-200A	200nb	25	220 x 275
FM134-200B		38	220 x 300
FM134-200C		50	220 x 324

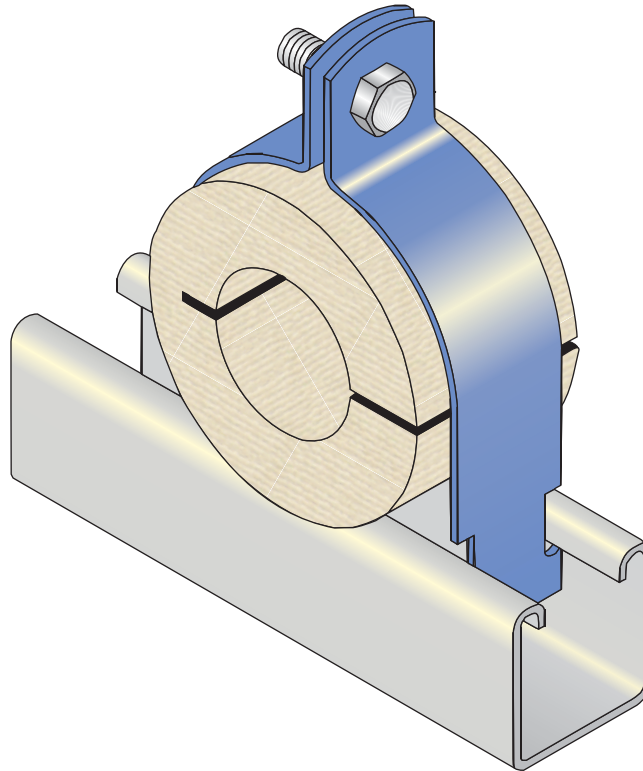
FINISH: GALVABOND

STANDARD SIZES ONLY: OTHER SIZES AVAILABLE ON REQUEST



FM135

TWO PIECE CHANNEL CLIP AND TIMBER FERRULE FOR COPPER PIPE



PART NO.	PIPE DIA.	INS.	FERRULE DIA.
FM135-015D	15cu	25	13 x 65
FM135-015E		38	13 x 89
FM135-015F		50	13 x 115
FM135-020D	20cu	25	19 x 70
FM135-020E		38	19 x 102
FM135-020F		50	19 x 127
FM135-025D	25cu	25	25 x 76
FM135-025E		38	25 x 102
FM135-025F		50	25 x 127
FM135-032D	32cu	25	32 x 83
FM135-032E		38	32 x 115
FM135-032F		50	32 x 140
FM135-040D	40cu	25	38 x 89
FM135-040E		38	38 x 115
FM135-040F		50	38 x 140
FM135-050D	50cu	25	51 x 102
FM135-050E		38	51 x 127
FM135-050F		50	51 x 152

PART NO.	PIPE DIA.	INS.	FERRULE DIA.
FM135-065D	65cu	25	65 x 115
FM135-065E		38	65 x 140
FM135-065F		50	65 x 165
FM135-080D	80cu	25	76 x 127
FM135-080E		38	76 x 152
FM135-080F		50	76 x 178
FM135-100D	100cu	25	102 x 152
FM135-100E		38	102 x 178
FM135-100F		50	102 x 203
FM135-125D	125cu	25	127 x 178
FM135-125E		38	127 x 203
FM135-125F		50	127 x 228
FM135-150D	150cu	25	152 x 203
FM135-150E		38	152 x 228
FM135-150F		50	152 x 252
FM135-200D	200cu	25	203 x 252
FM135-200E		38	203 x 275
FM135-200F		50	203 x 300

FINISH: GALVABOND

STANDARD SIZES ONLY: OTHER SIZES AVAILABLE ON REQUEST

