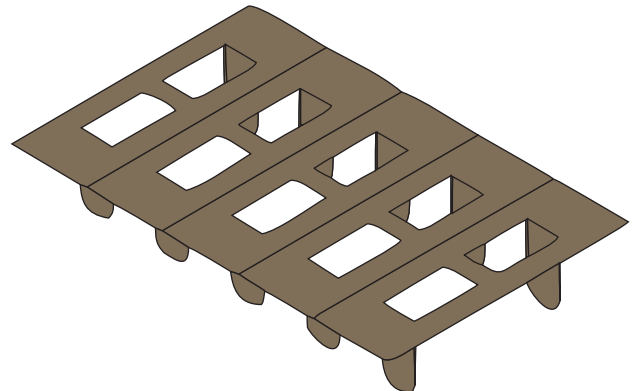
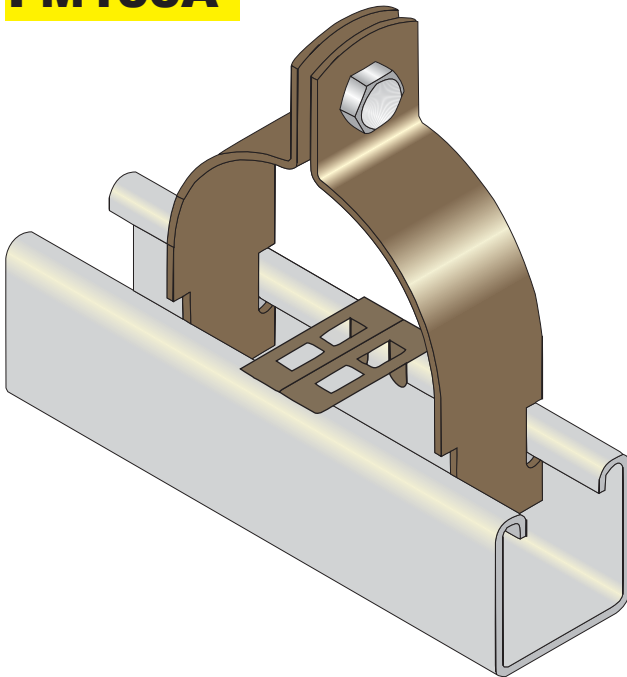


**FM133**  
**FM133A**

**TWO PIECE CHANNEL CLIP FOR COPPER PIPE**



**FM133A**  
**BARRIER STRIP**

**POLYESTER POWDER COATED  
CONTINUOUS "SNAP OFF" STRIP USED IN  
CONJUNCTION WITH FM133 TWO PIECE  
CLIP - PREVENTS CONTACT BETWEEN  
COPPER PIPE AND GALVANISED CHANNEL**

<b>FM133 TWO PIECE CHANNEL CLIP FOR COPPER PIPE</b>	
<b>PART NO.</b>	<b>PIPESIZE</b>
FM133-015	15cu
FM133-020	20cu
FM133-025	25cu
FM133-032	32cu
FM133-038	40cu
FM133-051	50cu
FM133-064	65cu
FM133-076	80cu
FM133-102	100cu
FM133-127	125cu
FM133-152	150cu
FM133-203	200cu
FM133-252	250cu
FM133-302	300cu

**FINISH: POLYESTER  
POWDER COATED**

**NOTE: FM133 INCLUDES FM133A UNLESS OTHERWISE REQUESTED.**

