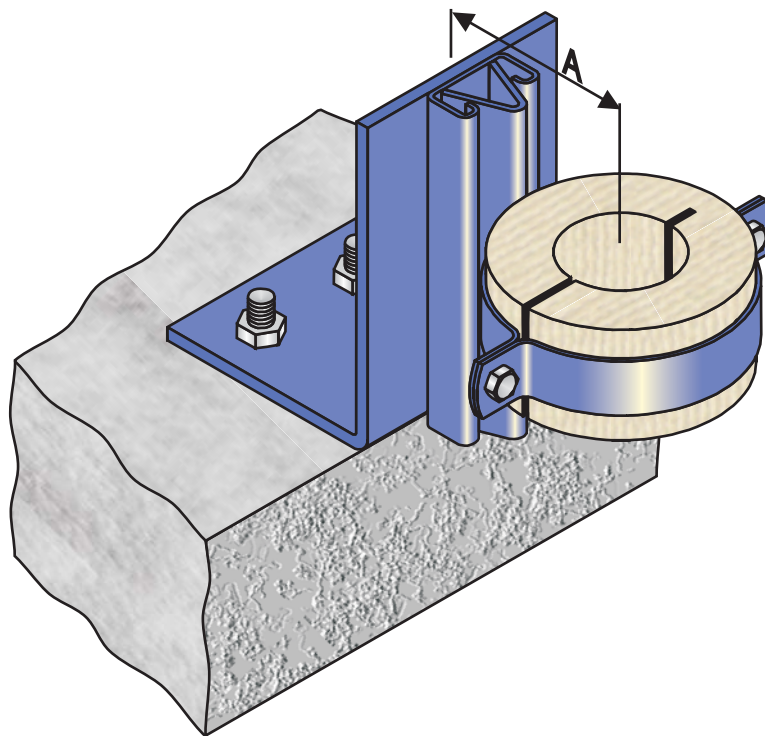


PART NO.	PIPE DIA.	INS.	FERRULE DIA.	A	PART NO.	PIPE DIA.	INS.	FERRULE DIA.	A
FM189-015A	15nb	25	21 x 73	80	FM189-050A	50nb	25	60 x 115	101
FM189-015B		38	21 x 102	94	FM189-050B		38	60 x 140	115
FM189-015C		50	21 x 127	109	FM189-050C		50	60 x 165	128
FM189-020A	20nb	25	27 x 76	80	FM189-065A	65nb	25	73 x 127	109
FM189-020B		38	27 x 102	94	FM189-065B		38	73 x 152	121
FM189-020C		50	27 x 127	109	FM189-065C		50	73 x 178	134
FM189-025A	25nb	25	34 x 83	85	FM189-080A	80nb	25	89 x 140	115
FM189-025B		38	34 x 115	101	FM189-080B		38	89 x 165	128
FM189-025C		50	34 x 140	115	FM189-080C		50	89 x 190	140
FM189-032A	32nb	25	43 x 89	88	FM189-100A	100nb	25	115 x 165	128
FM189-032B		38	43 x 115	101	FM189-100B		38	115 x 190	140
FM189-032C		50	43 x 140	115	FM189-100C		50	115 x 220	155
FM189-040A	40nb	25	48 x 102	94					
FM189-040B		38	48 x 127	109					
FM189-040C		50	48 x 152	121					

NOTE: PIPE SIZES UP TO 100NB ARE SHOWN AS ABOVE. FOR LARGER SIZES OR OTHER SPECIAL ON-SITE REQUIREMENTS, CONSULT YOUR NEAREST FLEXISTRUT BRANCH. WHEN ORDERING, NOMINATE 'A' DIMENSION.

FINISH: GALVANISED



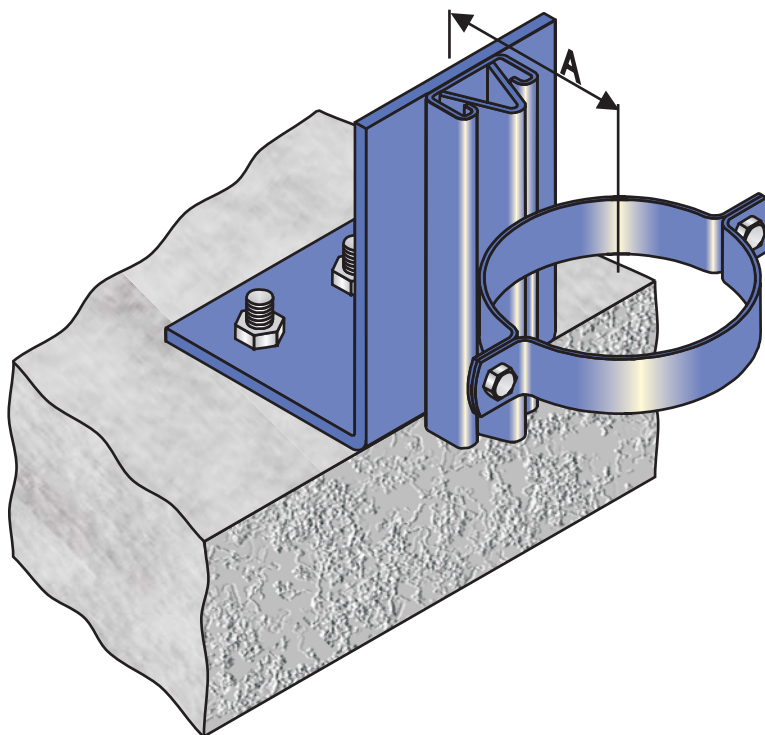


PART NO.	PIPE DIA.	INS.	FERRULE DIA.	A	PART NO.	PIPE DIA.	INS.	FERRULE DIA.	A
FM189-015D	15cu	25	13 x 65	76	FM189-050D	50cu	25	51 x 102	94
FM189-015E		38	13 x 89	88	FM189-050E		38	51 x 127	109
FM189-015F		50	13 x 115	101	FM189-050F		50	51 x 152	121
FM189-020D	20cu	25	19 x 70	78	FM189-065D	65cu	25	65 x 115	101
FM189-020E		38	19 x 102	94	FM189-065E		38	65 x 140	115
FM189-020F		50	19 x 127	109	FM189-065F		50	65 x 165	128
FM189-025D	25cu	25	25 x 76	80	FM189-080D	80cu	25	76 x 127	109
FM189-025E		38	25 x 102	94	FM189-080E		38	76 x 152	121
FM189-025F		50	25 x 127	109	FM189-080F		50	76 x 178	134
FM189-032D	32cu	25	32 x 83	85	FM189-100D	100cu	25	102 x 152	121
FM189-032E		38	32 x 115	101	FM189-100E		38	102 x 178	134
FM189-032F		50	32 x 140	115	FM189-100F		50	102 x 203	147
FM189-040D	40cu	25	38 x 89	88					
FM189-040E		38	38 x 115	101					
FM189-040F		50	38 x 140	115					

NOTE: PIPE SIZES UP TO 100CU ARE SHOWN AS ABOVE. FOR LARGER SIZES OR OTHER SPECIAL ON-SITE REQUIREMENTS, CONSULT YOUR NEAREST FLEXISTRUT BRANCH. WHEN ORDERING, NOMINATE 'A' DIMENSION.

FINISH: GALVANISED





FM190 RISER GUIDE FOR STEEL PIPE

PART NO.	PIPE SIZE	A
FM190-021	15nb	54
FM190-027	20nb	57
FM190-034	25nb	60
FM190-043	32nb	65
FM190-048	40nb	67
FM190-060	50nb	73
FM190-073	65nb	81
FM190-089	80nb	88
FM190-115	100nb	101
FM190-140	125nb	155
FM190-168	150nb	129

FINISH: GALVANISED

FM190 RISER GUIDE FOR COPPER PIPE

PART NO.	PIPE SIZE	A
FM190-015	15cu	49
FM190-020	20cu	53
FM190-025	25cu	56
FM190-032	32cu	59
FM190-038	40cu	62
FM190-051	50cu	73
FM190-064	65cu	76
FM190-076	80cu	81
FM190-102	100cu	94
FM190-127	125cu	108
FM190-152	150cu	121

**FINISH: POLYESTER
POWDER COATED**

NOTE: PIPE SIZES UP TO 150MM ARE SHOWN AS ABOVE. FOR LARGER SIZES OR OTHER SPECIAL ON-SITE REQUIREMENTS, CONSULT YOUR NEAREST FLEXISTRUT BRANCH. WHEN ORDERING, NOMINATE 'A' DIMENSION.

